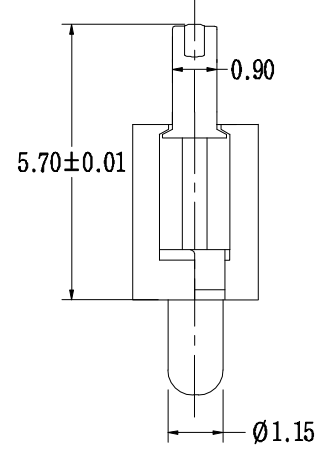
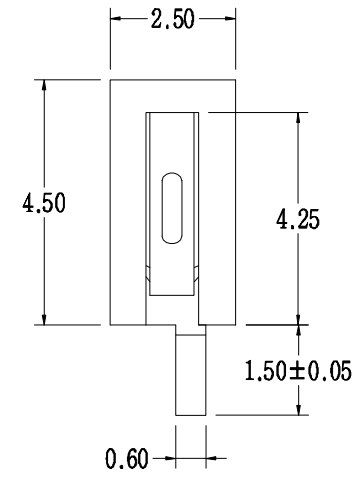
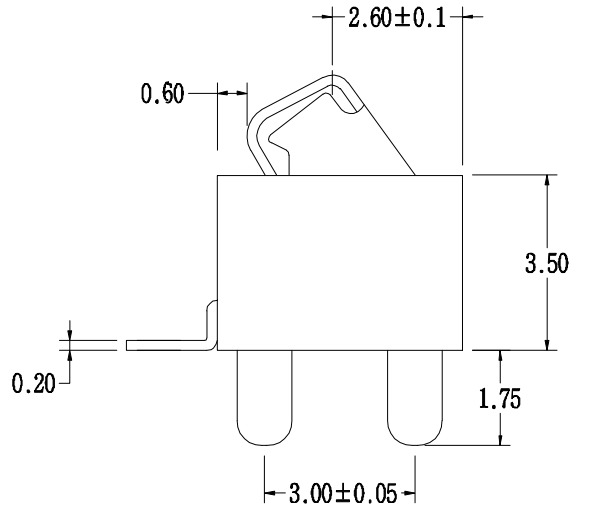
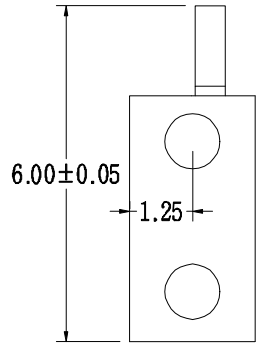


F E D C B A

1 1



2 2



3 3

4 4

2	HOUSING	LCP	1	BLACK
1	CONTACT TERMINAL	BeCu	3	Au PLATED
NO.	PARTS	MATERIAL	QTY.	FINISHING

DISONG ELECTRONIC CO., LTD.

COPYRIGHT RESERVED, PLEASE DO NOT COPY.

PART NAME		CONNECTOR		DRAWING	W.M.Zhang	DWG.No.	DS-BC-001
PART NO.		BC-1-101		CHECK	Q.L.Dai	REV.	A0
UNIT :	mm	TOLERANCE OTHERWISE	UP TO 5	±0.2	ANGLE	APPROVAL	DATE
			ABOVE 5 ~30	±0.3			
			ABOVE 30	±0.5		SCALE	11-08-2006
			ANGLE	±3'			PAGE
					2:1		1 OF 1

F E D C B A