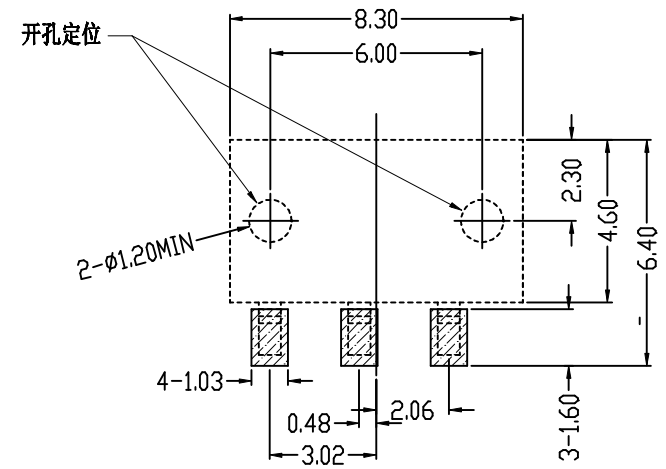
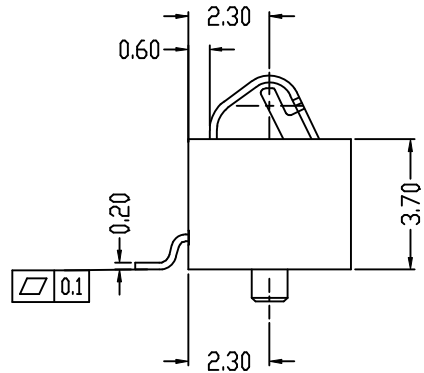
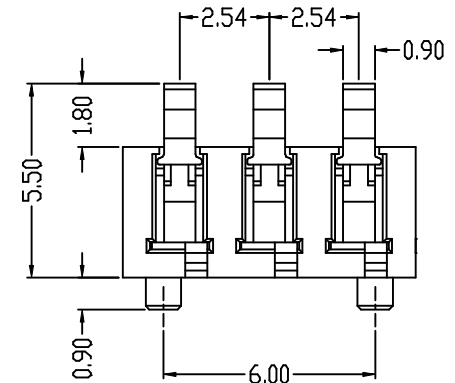
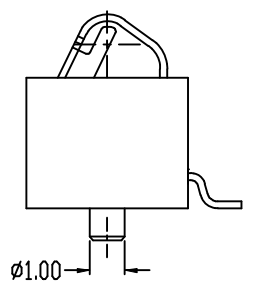



USE GUIDE



开孔定位

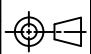
2- $\phi 1.20$ MIN

 SMT SOLDER AREA  
 RECOMMENDED PCB LAYOUT  
 GENERAL TOLERANCE  $\pm 0.05$

2	HOUSING	LCP	1	BLACK
1	CONTACT TERMINAL	BeCu	3	Au PLATED
NO.	PARTS	MATERIAL	QTY.	FINISHING

**DISONG ELECTRONIC CO., LTD.**

COPYRIGHT RESERVED, PLEASE DO NOT COPY.

PART NAME		CONNECTOR		DRAWING	G.B.Wu	DWG.No.	DS-BC-018
PART NO.		BC-1-301A		CHECK	Q.L..Dai	REV.	A0
 UNIT : mm	TOLERANCE	UP TO 5	$\pm 0.2$	ANGLE	APPROVAL	DATE	06-01-2017
	OTHERWISE	ABOVE 5 ~ 30	$\pm 0.3$			0' $\pm$ 3'	SCALE