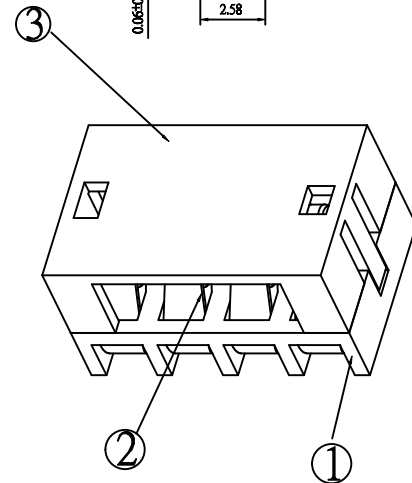
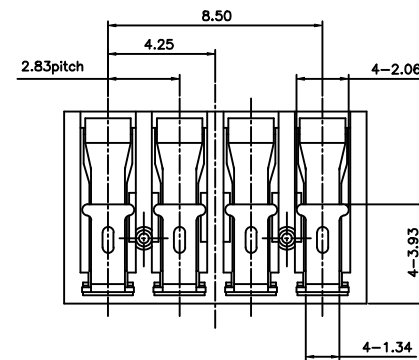
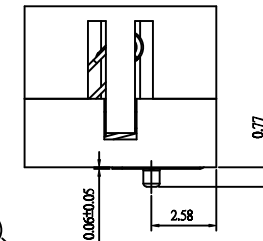
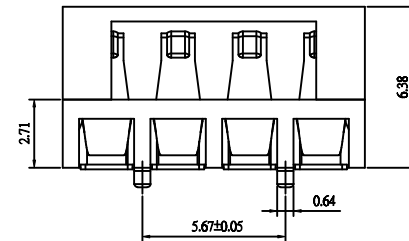
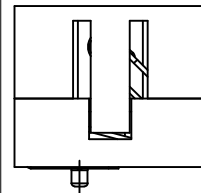
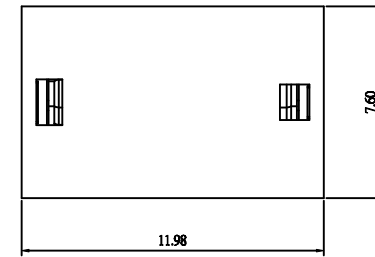


RECOMMENDED PC BOARD LAYOUT  
TOLERANCE: ±0.05[TOP VIEW]



2	HOUSING	PA9T	1	BLACK
1	CONTACT TERMINAL	Phosphor bronze	3	Au PLATED
NO.	PARTS	MATERIAL	QTY.	FINISHING

DISONG ELECTRONIC CO., LTD.

COPYRIGHT RESERVED, PLEASE DO NOT COPY.

PART NAME	CONNECTOR		DRAWING	G.B.Wu	DWG.No.	DS-BC-038	
PART NO.	BC-1-408		CHECK	Q.L.Dai	REV.	A0	
UNIT :	TOLERANCE	UP TO 5	±0.2	ANGLE	APPROVAL	DATE	20-04-2017
		ABOVE 5 30	±0.3				
mm	OTHERWISE	ABOVE 30	±0.5	SCALE	2:1	PAGE	1 OF 1