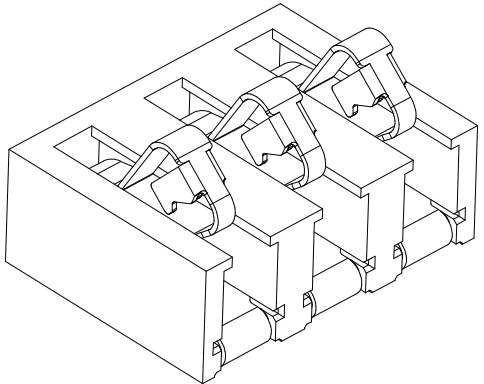
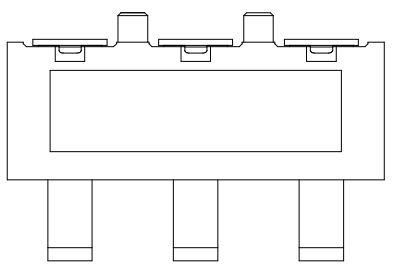
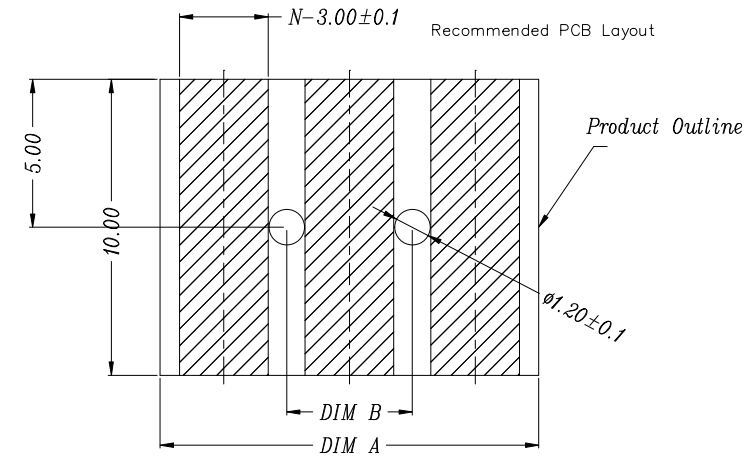
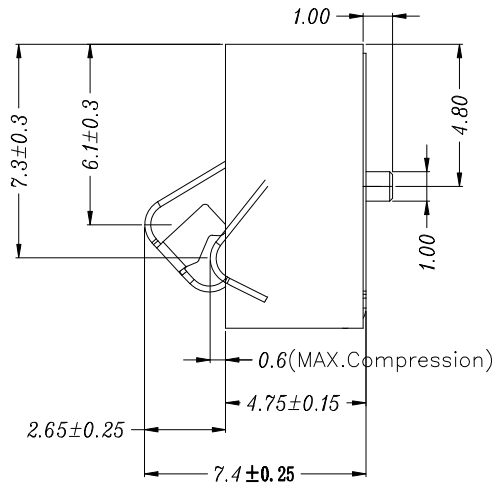
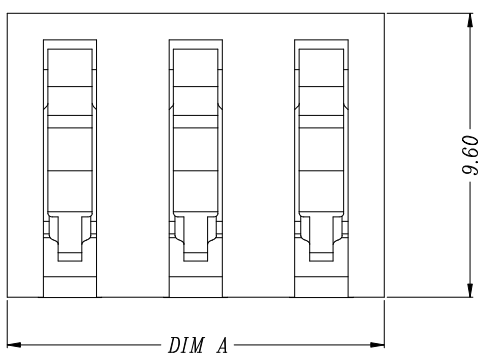


F E D C B A

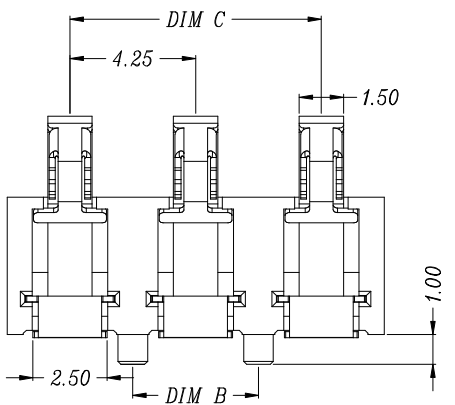
1 1



2 2



3 3



PIN(N)	PART NO.	DIM A	DIM B	DIM C
3Pin	BC-1-329	12.75	4.25	8.5
4Pin	BC-1-404	17.0	8.5	12.75
5Pin	BC-1-504	21.25	12.75	17.0
6Pin	BC-1-602	25.5	17.0	21.25

2	HOUSING	LCP	1	BLACK
1	CONTACT TERMINAL	PHOSPHOR BRONZE	3	Au PLATED
NO.	PARTS	MATERIAL	QTY.	FINISHING

4 4

**DISONG ELECTRONIC CO., LTD.**

COPYRIGHT RESERVED,PLEASE DO NOT COPY.

PART NAME		CONNECTOR		DRAWING	G.B.Wu	DWG.No.	DS-BC-105
PART NO.		BC-1-329/404/504/602		CHECK	Q.L..Dai	REV.	A0
UNIT :	TOLERANCE	UP TO 5	±0.2	ANGLE	APPROVAL	DATE	15-08-2017
		ABOVE 5~30	±0.3				
mm	OTHERWISE	ABOVE 30	±0.5	SCALE	2:1	PAGE	1 OF 1

F E D C B A