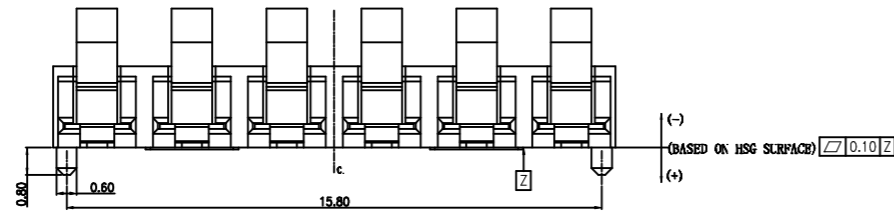
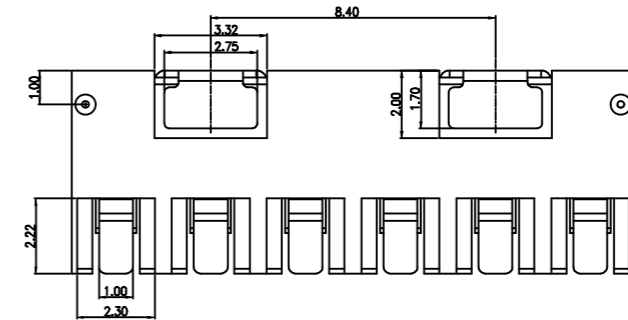
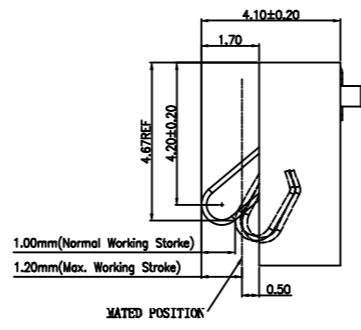
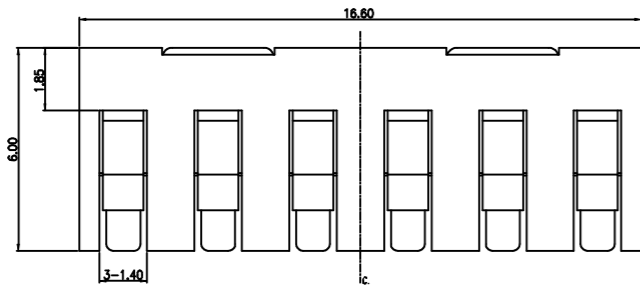


Recommended P.C.B Layout(Top Side)  
Tolerance=±0.05



2	HOUSING	LCP	1	BLACK
1	CONTACT TERMINAL	Phosphor bronze	3	Au PLATED
NO.	PARTS	MATERIAL	QTY.	FINISHING

**DISONG ELECTRONIC CO., LTD.**

COPYRIGHT RESERVED, PLEASE DO NOT COPY.

PART NAME	CONNECTOR		DRAWING	G.B.Wu	DWG.No.	DS-BC-057
PART NO.	BC-1-603		CHECK	Q.L.Dai	REV.	A0
UNIT : mm	TOLERANCE	UP TO 5 ±0.2 ABOVE 5 30 ±0.3 ABOVE 30 ±0.5	APPROVAL		DATE	25-05-2017
	OTHERWISE	ANGLE 15°	SCALE	2:1	PAGE	1 OF 1