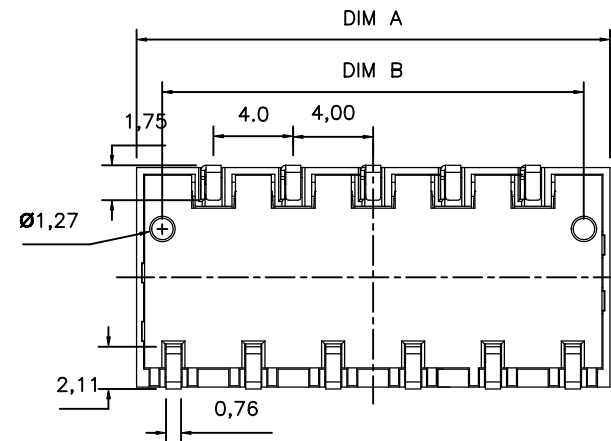
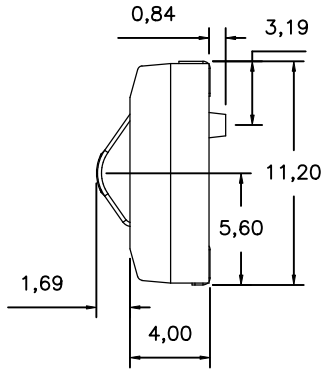
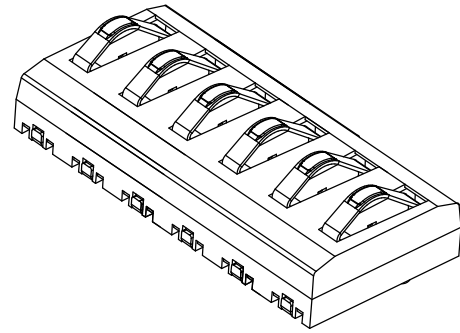


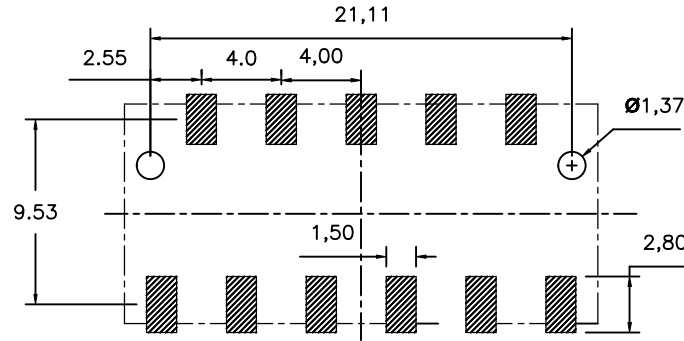
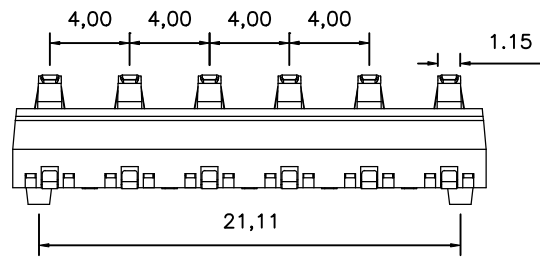
F E D C B A

1



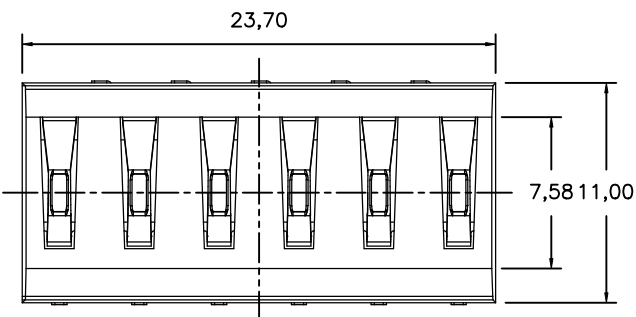
1

2



2

3



3

Pin	PART NO.	DIM A	DIM B
2P	BC-1-207	7.7	5.11
3P	BC-1-317	11.7	9.11
4P	BC-1-410	15.7	13.11
5P	BC-1-502	19.7	17.11
6P	BC-1-604	23.7	21.11

4

2	HOUSING	PA9T	1	BLACK
1	CONTACT TERMINAL	PHOSPHOR BRONZE	3	Au PLATED
NO.	PARTS	MATERIAL	QTY.	FINISHING

4

**DISONG ELECTRONIC CO., LTD.**

COPYRIGHT RESERVED, PLEASE DO NOT COPY.

PART NAME	CONNECTOR		DRAWING	G.B.Wu	DWG.No.	DS-BC-097
PART NO.	BC-1-207/317/410/502/604		CHECK	Q.L.Dai	REV.	A0
UNIT : mm	TOLERANCE	UP TO 5 ABOVE 5 30	APPROVAL	SCALE	DATE	26-08-2017
	OTHERWISE	ABOVE 30 ANGLE			PAGE	1 OF 1

F E D C B A