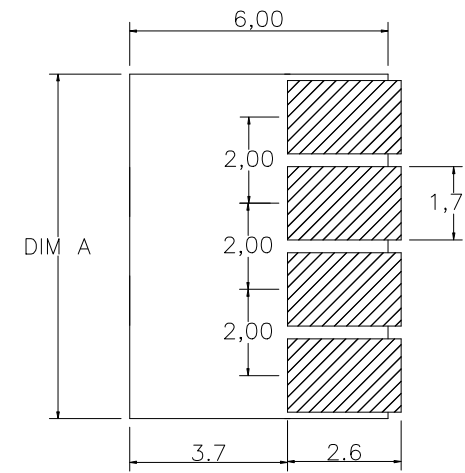
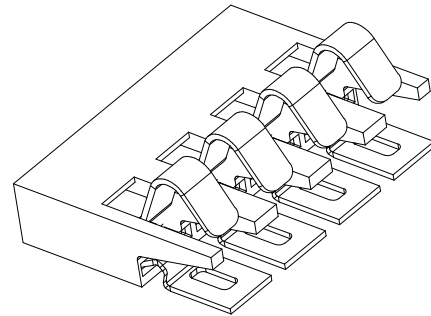
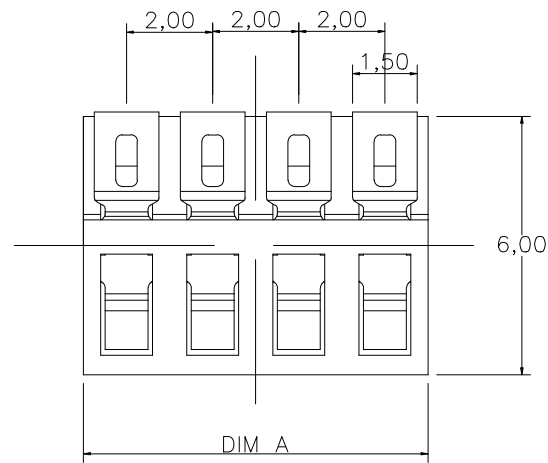
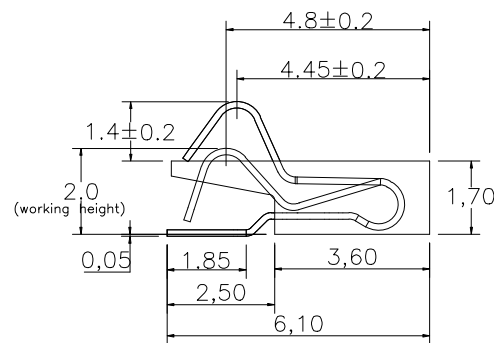
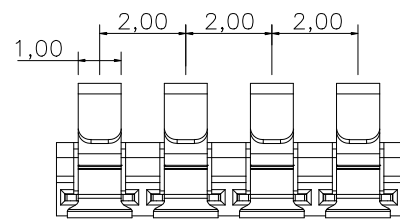


F E D C B A

1

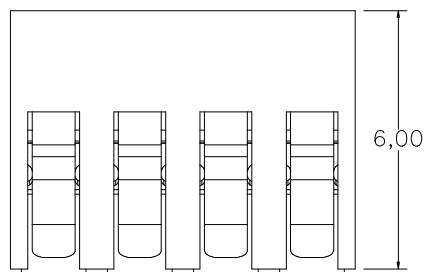


2



RECOMMENDED PCB LAYOUT
TOP VIEW(.XX±0.05)

3



Pin (N)	PART NO.	DIM A
2Pin	BC-1-208	4.0
3Pin	BC-1-319	6.0
4Pin	BC-1-413	8.0
5Pin	BC-1-505	10.0
6Pin	BC-1-606	12.0
7Pin	BC-1-701	14.0
8Pin	BC-1-801	16.0

4

2	HOUSING	LCP	1	BLACK
1	CONTACT TERMINAL	PHOSPHOR BRONZE	3	Au PLATED
NO.	PARTS	MATERIAL	QTY.	FINISHING

DISONG ELECTRONIC CO., LTD.

COPYRIGHT RESERVED,PLEASE DO NOT COPY.

PART NAME	CONNECTOR	DRAWING	G.B.Wu	DWG.No.	DS-BC-230
PART NO.	BC-1-208/319/413/505/606/701/801	CHECK	Q.L..Dai	REV.	A0
UNIT :	TOLERANCE	UP TO 5	±0.2	ANGLE	APPROVAL
mm	OTHERWISE	ABOVE 5~30	±0.3	0°±3'	SCALE
		ABOVE 30	±0.5		DATE
		ANGLE	±3'		15-08-2017
					PAGE
					1 OF 1

F E D C B A