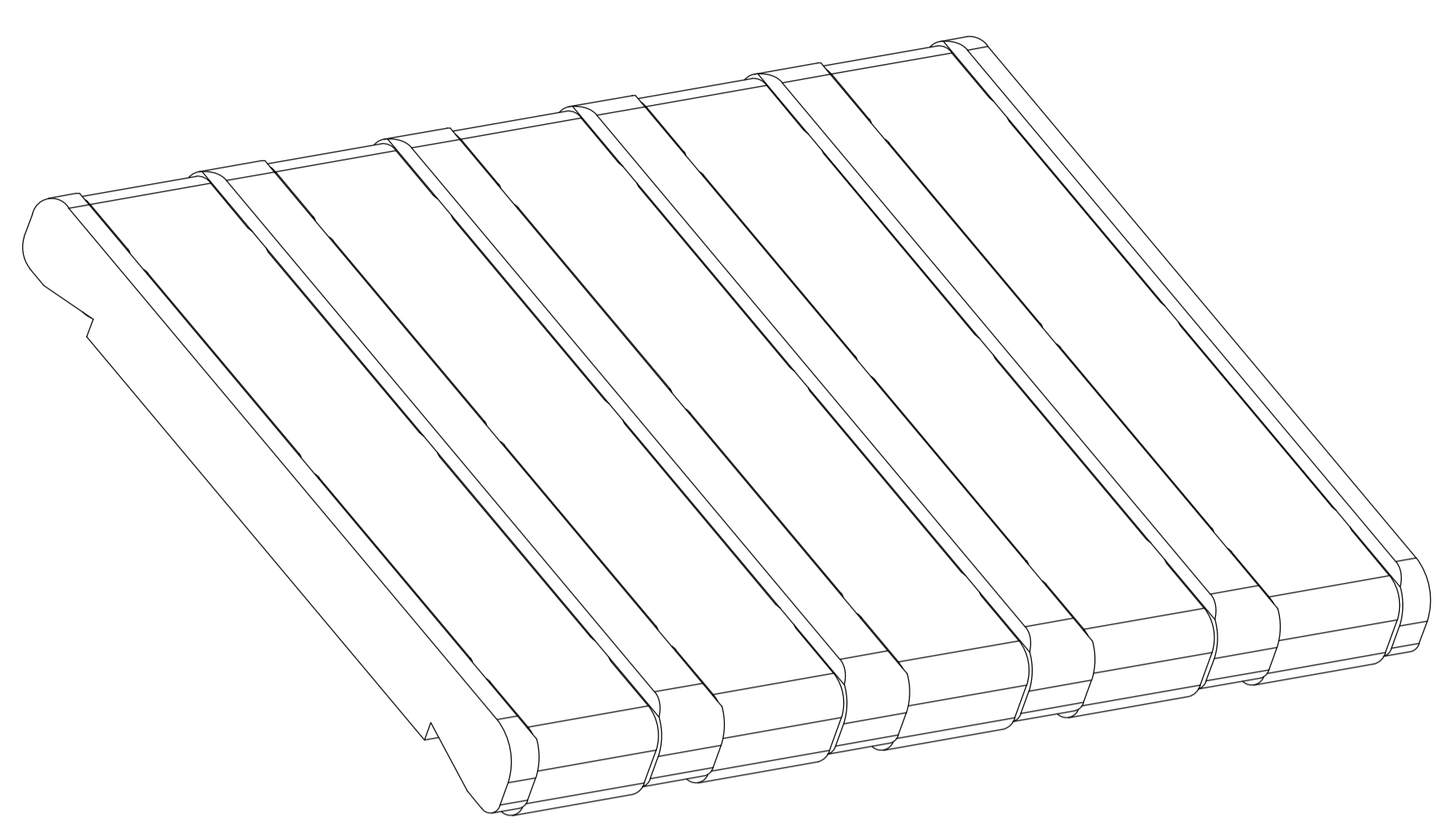


F E D C B A

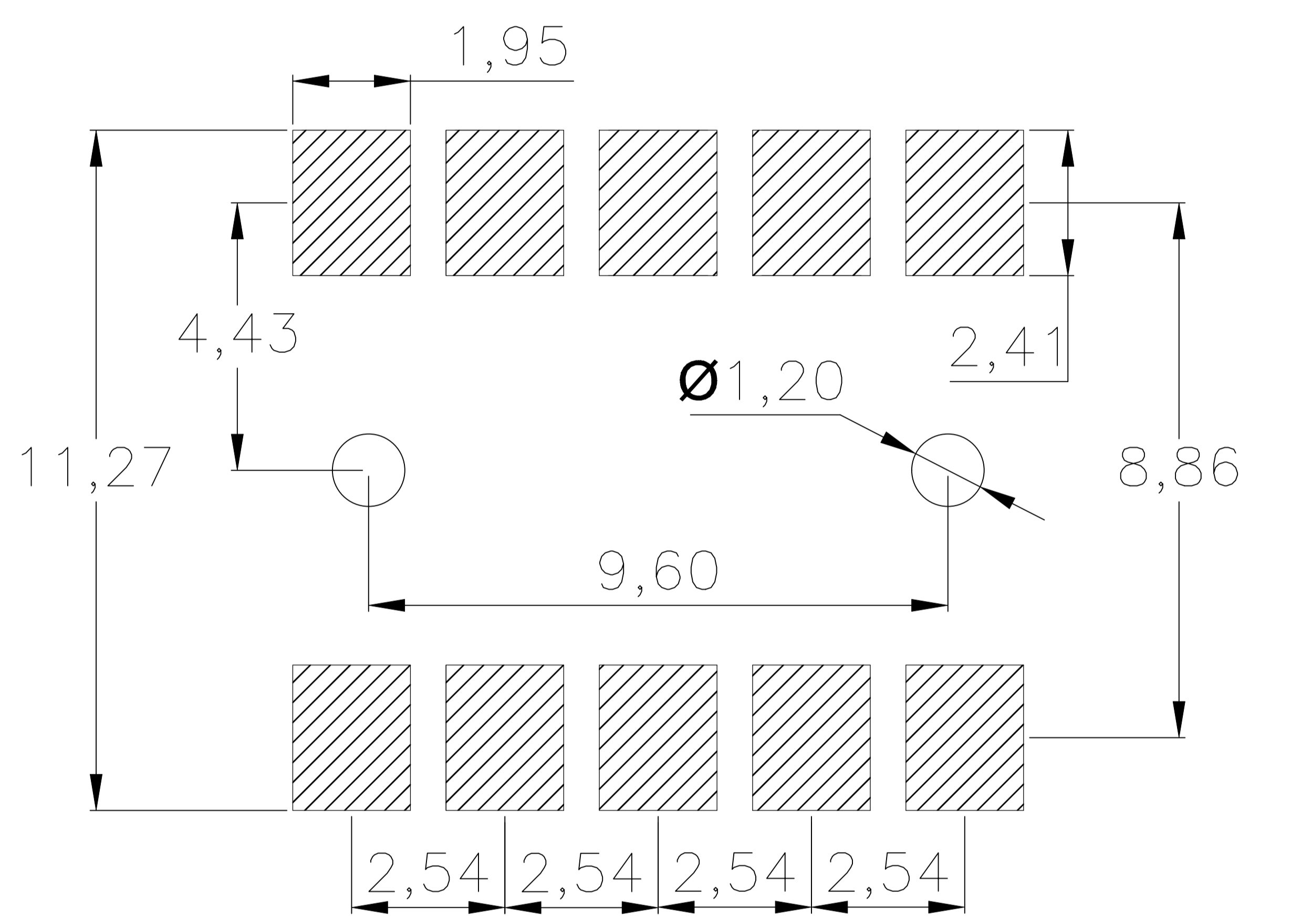
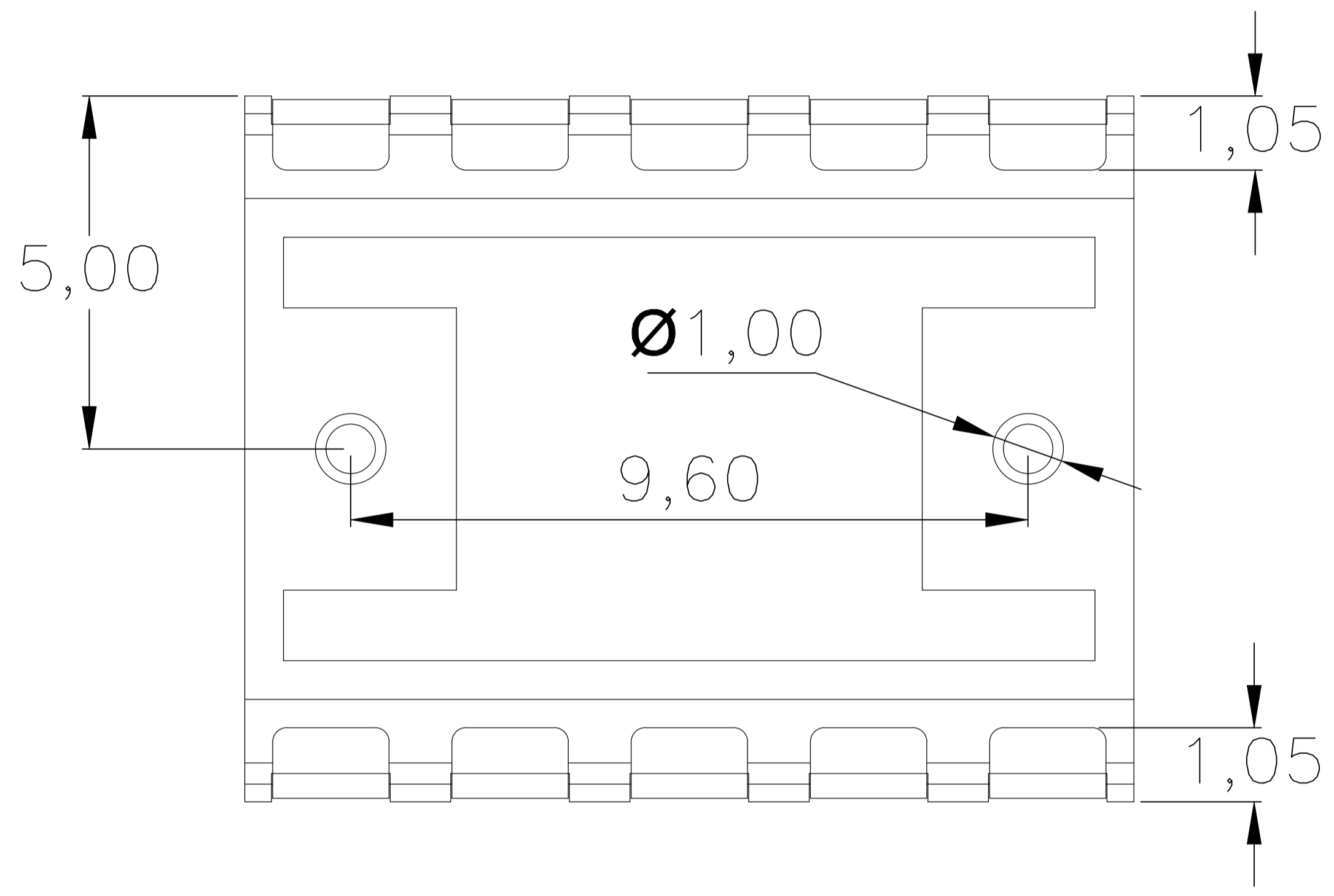
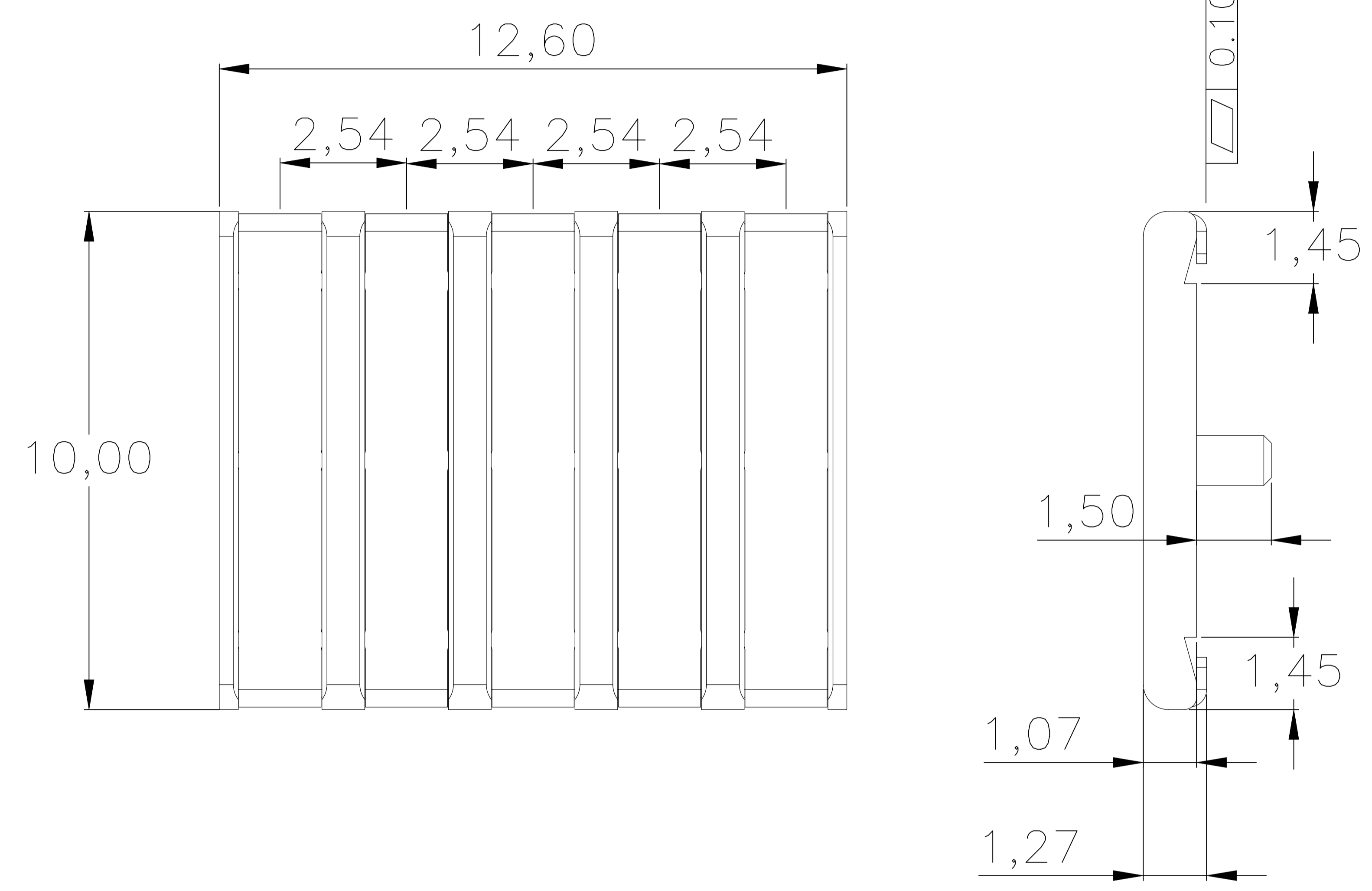
1

1



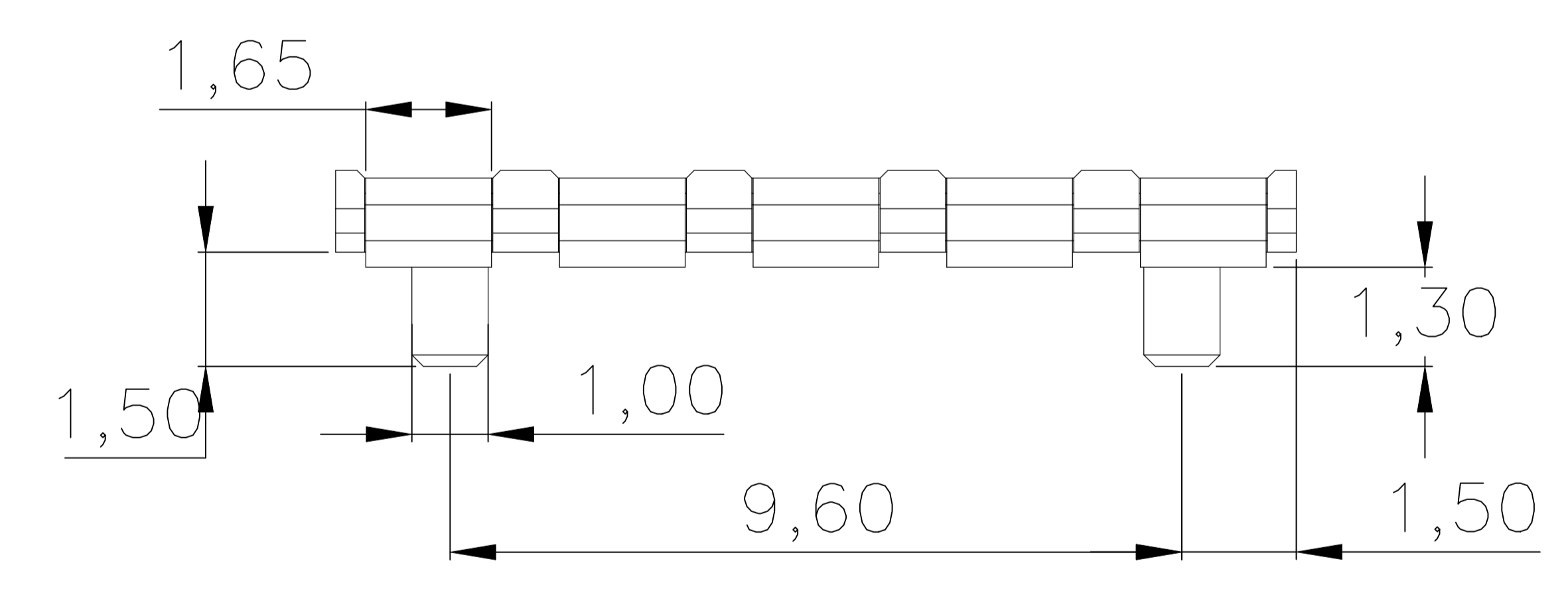
2

2



3

3



RECOMMENDED PCB LAYOUT
TOP VIEW (. XX ± 0.05)

4

4

2	HOUSING	PA9T	1	BLACK
1	CONTACT TERMINAL	BRASS	3	Au PLATED
NO.	PARTS	MATERIAL	QTY.	FINISHING

DISONG ELECTRONIC CO., LTD.

COPYRIGHT RESERVED, PLEASE DO NOT COPY.

PART NAME	CONNECTOR			DRAWING	G.B.Wu	DWG.No.	DS-BC-100
PART NO.	BC-0-501			CHECK	Q.L..Dai	REV.	A0
UNIT : mm	TOLERANCE	UP TO 5	±0.2	APPROVAL	SCALE	DATE	28-08-2017
	OTHERWISE	ABOVE 5 30	±0.3			ANGLE	2:1
		ABOVE 30	±0.5				
		ANGLE	±3°				

F E D C B A