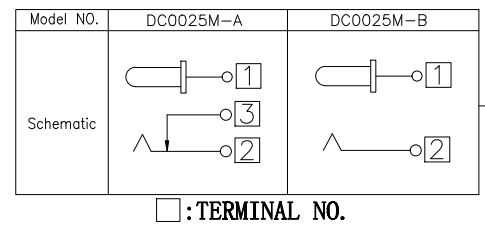
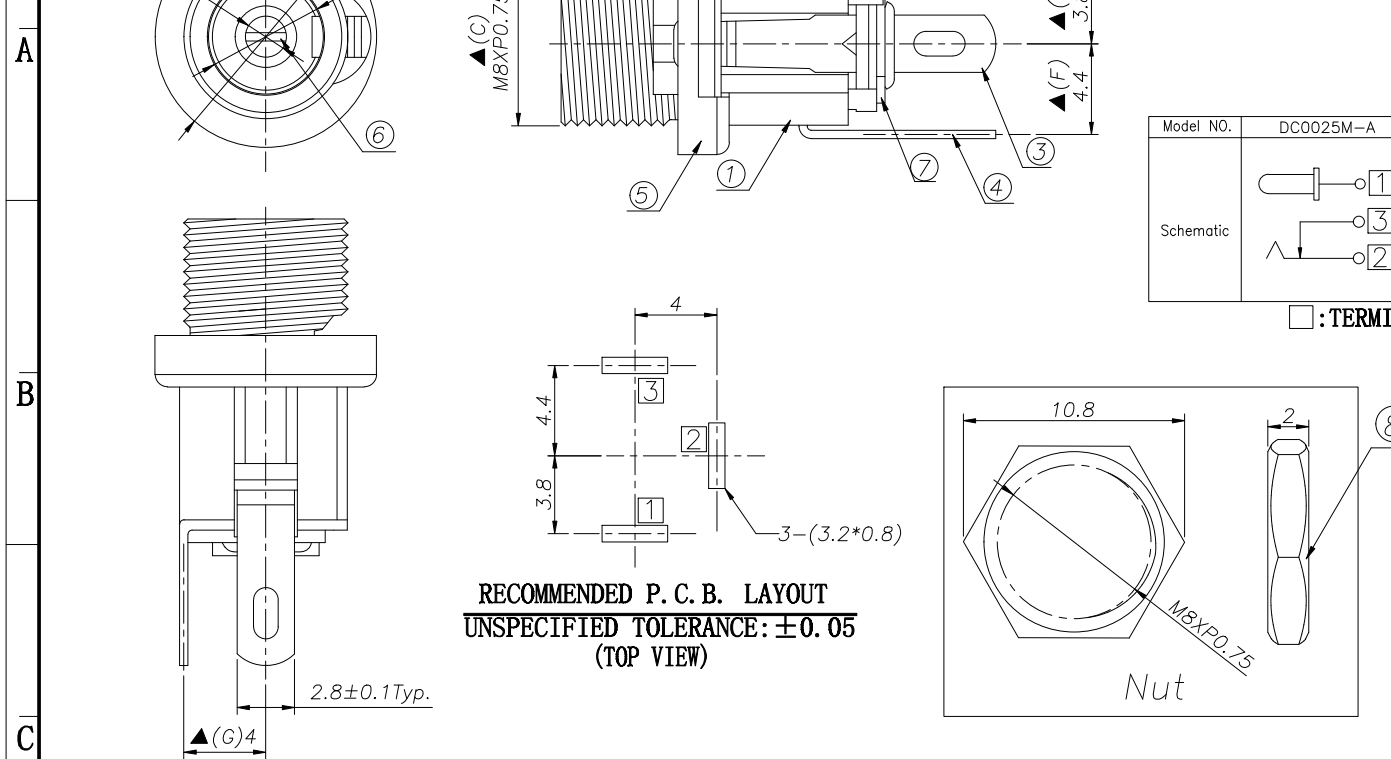


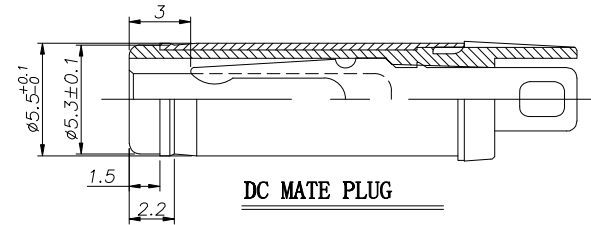
| | | | | | | | | |
|------|---|---|---|---|-----------|-------------|------|------|
| BSUN | 1 | 2 | 3 | 4 | 5 | 6 | 7 | |
| | | | | | REV. LTR. | DESCRIPTION | SIGN | DATE |



Ordering information:
DC-025M-□ □ PB OA C 0 4
 (1) (2) (3) (4) (5) (6) (7) (8)

(1): Series No
 (2): Schematic option: A B
 (3): Center pin diameter:H=2.0 I=2.35 J=2.5
 (4): Material of housing:PB=PBT
 (5):Housing color:
 OA=Black
 (6):Terminal plating
 S=Silver (Ag) T=Tin (Sn)
 C=copper&tin alloy plating (Standard)
 (7): Special option
 0=No special option
 (8):Packing mode:
 4=Bag packing

| | | |
|-----------|-------------------|-------------------|
| Model No. | DC-025M- <u>H</u> | DC-025M- <u>I</u> |
| PIN | Ø2.0 | Ø2.5 |



Specification:

- Rating : DC 30V 3A.
- Contact resistance: ≤30mΩ.
After test: ≤50mΩ
- Insulation resistance: ≥100MΩ (500VDC).
After test: ≥50MΩ
- Withstanding voltage: 500VAC.
- Insertion and extraction force: 3N~30N.
- life test: 5000cycles min.
- Operation temperature range:-20℃~70℃.
- Preservative temperature range:-40℃~85℃.
- Sign"▲" is importance dimension.

| | | | | | |
|-----|---------------------|-----|----------|-----------------|--------------------|
| ⑨ | Washer-2 | 1 | Spcc | Nickel plating | |
| ⑧ | Nut | 1 | Brass | Nickel plating | |
| ⑦ | Washer-1 | 2 | Bakelite | | |
| ⑥ | Pin | 1 | Bronze | Nickel plating | |
| ⑤ | Bushing | 1 | Brass | Nickel plating | |
| ④ | Shunt Terminal | ③ | 1 | Brass | Copper&tin plating |
| ③ | Tip Spring | ② | 1 | Phosphor bronze | Copper&tin plating |
| ② | Center pin terminal | ① | 1 | Brass | Copper&tin plating |
| ① | Housing | 1 | PBT | Black | |
| NO. | DESCRIPTION | QTY | MATERIAL | REMARK | |

| | | | | | | |
|--------------|-----------------------|-----------|--------------|-------------|-------|-----|
| UNIT:MM | TYPE: | MODEL NO: | PAPER NO: A4 | PAGE 1 OF 1 | | |
| | DC POWER JACK | DC-025M | TOLERANCE | ANGLES | SCALE | VER |
| DESIGNER BY: | Allen Xiao 2011.08.30 | | ±0.3 | ±2' | N/A | 2 |
| CHECK BY: | | | | | | |
| APPROVED BY: | | | | | | |

东莞市迪松电子科技有限公司