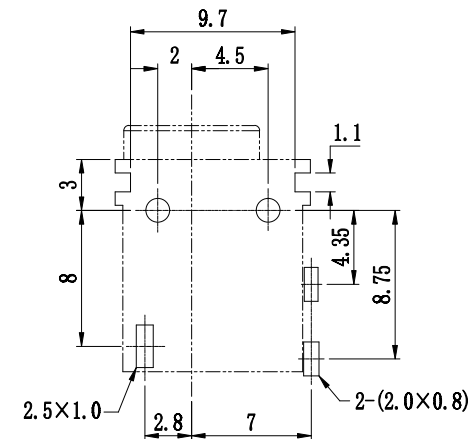
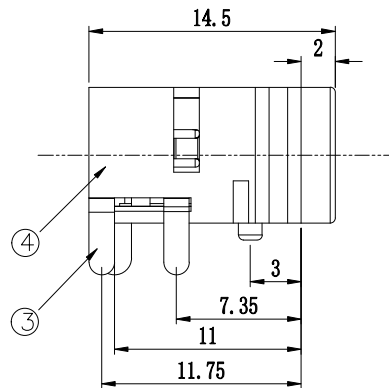
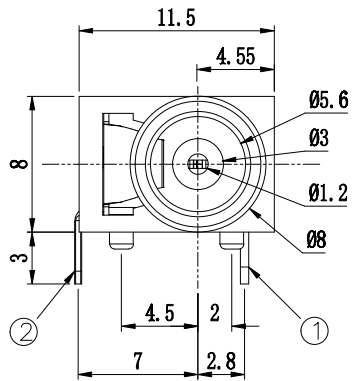


SCHEMATIC



线路板开孔尺寸
P.C.B LAYOUT

DONGGUAN DISONG ELECTRONIC CO., LTD.

TITLE : DC POWER JACK

MODEL : DC-080

UNIT : MM DWN. DATE

SCALE : 4 : 1 CHK'D DATE

VERSION 01 APPD. DATE



TOLERANCE
<=5mm ±0.1
> 5mm ±0.2

ANGLE TOL
±2°

| NO. | PART NAME | MATERIAL | QTY | FINISHING |
|-----|------------|-------------|-----|-----------|
| 5 | TERMINAL C | BRASS STRIP | 2 | Ag PLATED |
| 4 | TERMINAL B | PBS STRIP | 1 | Ag PLATED |
| 3 | TERMINAL A | BRASS STRIP | 2 | Ag PLATED |
| 2 | PIN | BRASS | 1 | Ag PLATED |
| 1 | CASE | NYLON | 1 | BLACK |
| NO. | PART NAME | MATERIAL | QTY | FINISHING |