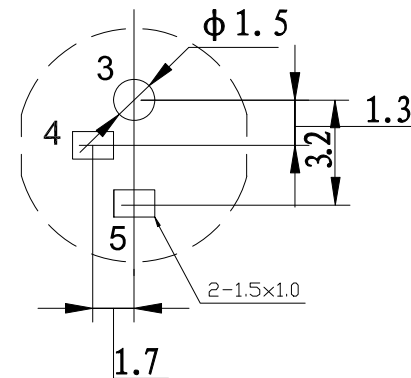
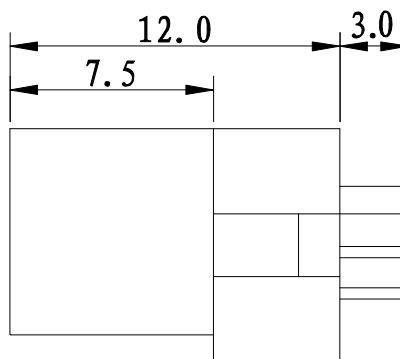
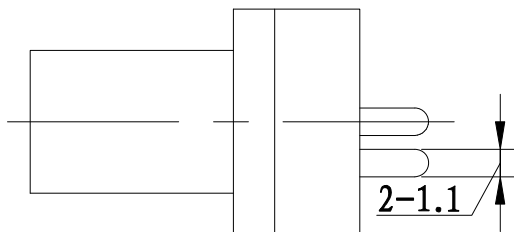


SCHMATIC



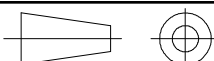
线路板开孔尺寸

DONGGUAN DISONG ELECTRONIC CO., LTD.

TITLE : DC POWER JACK

MODEL : DC-097

UNIT : MM	DWN.	DATE
SCALE : 4 : 1	CHK'D	DATE
VERSION 01	APPD.	DATE



TOLERANCE
 <=5mm ±0.1
 > 5mm ±0.2

ANGLE TOL
 ±2°

NO.	PART NAME	MATERIAL	QTY	FINISHING
5	TERMINAL C	BRASS STRIP	2	Ag PLATED
4	TERMINAL B	PBS STRIP	1	Ag PLATED
3	TERMINAL A	BRASS STRIP	2	Ag PLATED
2	PIN	BRASS	1	Ag PLATED
1	CASE	NYLON	1	BLACK