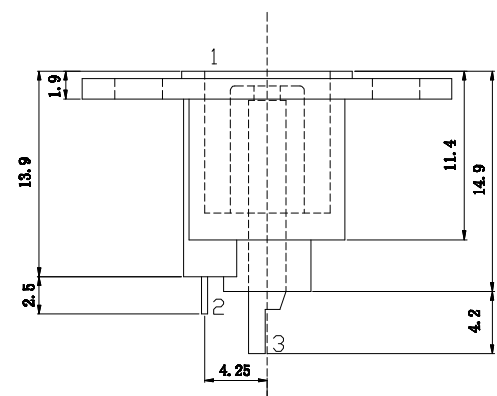
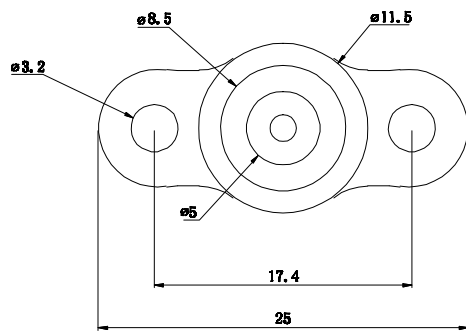
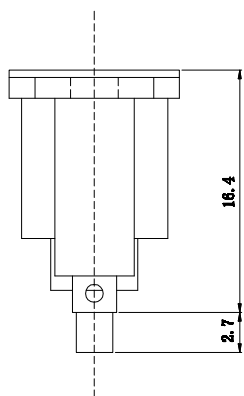


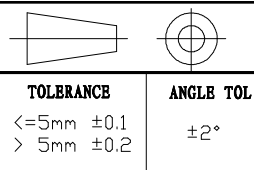
SCHMATIC



主要技术性能		公差
额定负荷	DC 30V\3.0A	.X±0.20
接触电阻	≤0.03Ω	.X±0.10
绝缘电阻	≥100MΩ	.XX±0.05
耐压	AC500V(50Hz)/min	.XXX±0.02
插拔力	3-20N	.X±5°
使用温度范围	-30-70℃	.X±2°
使用寿命	5000次	.XX±1°

# DONGGUAN DISONG ELECTRONIC CO., LTD.

TITLE : DC POWER JACK				
MODEL : DC-110				
UNIT : MM	DWN.	DATE		
SCALE : 4 : 1	CHK'D	DATE		
VERSION 01	APPD.	DATE		



NO.	PART NAME	MATERIAL	QTY	FINISHING
5	TERMINAL C	BRASS STRIP	2	Ag PLATED
4	TERMINAL B	PBS STRIP	1	Ag PLATED
3	TERMINAL A	BRASS STRIP	2	Ag PLATED
2	PIN	BRASS	1	Ag PLATED
1	CASE	NYLON	1	BLACK