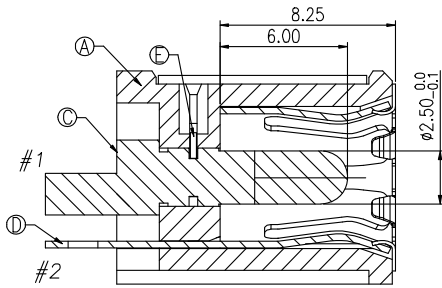
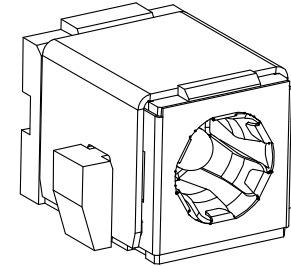
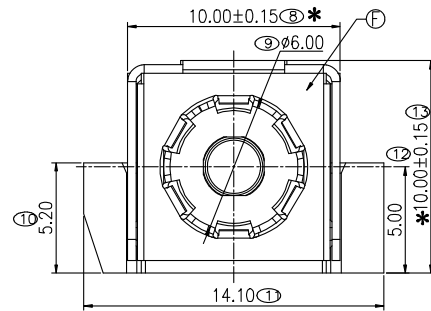
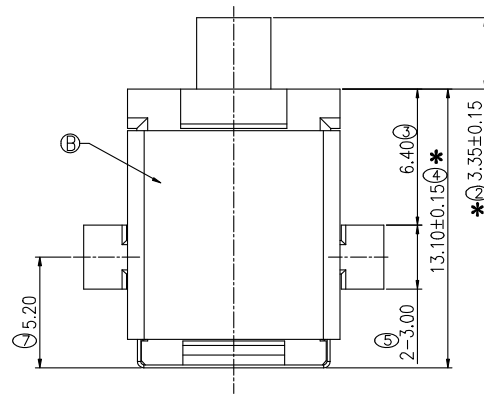


REV.	ECN NO.	DESCRIPTION	DESIGN	DATE
A	20150115001	初版发行	liuwendong	2015.01.15

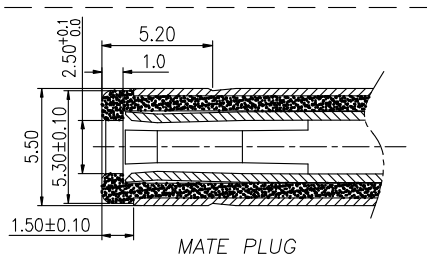


SECTION A-A

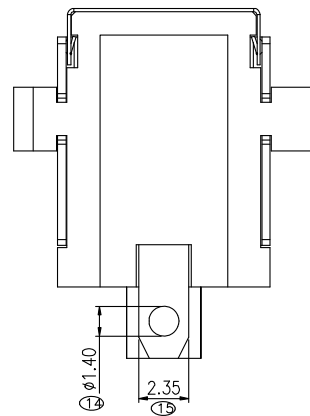


SPECIFICATIONS:

- ELECTRICAL CHARACTERISTICS:
 - RATING: 20V 10A
 - CONTACT RESISTANCE: 30mΩ MAX.(INITIAL)
 - DIELECTRIC WITHSTANDING VOLTAGE: 500V AC FOR ONE MINUTE
 - INSULATION RESISTANCE: 100MΩ MIN. MEASURED BY 500V DC
- MECHANICAL CHARACTERISTICS:
 - INSERTION FORCE : 3.0 Kgf MAX.
 - WITHDRAWAL FORCE : 0.3Kgf MIN.
- LIFE TEST: 5,000 CYCLES MIN.



MATE PLUG



SCHEMATIC

F	COVER	1	SUS t=0.15	
E	STOPPER	1	SUS t=0.30	
D	TERMINAL SPRING	1	COPPER ALLOY t=0.30	Sn 60u"/Ni 50u"
C	CENTER PIN	1	COPPER ALLOY	GOLD FLASH
B	SHELL	1	SUS t=0.40	
A	HOUSING	1	THERMOPLASTIC	BLACK
NO.	DESCRIPTION	QTY	MATERIAL	PLATING & COLOR

UNLESS OTHERWISE SPECIFIED TOLERANCES

DISONG ELECTRONIC CO.,LTD.

DECIMALS:		ANGLES:		DWG NO.	PART NAME:
DIM	TOL	DIM	TOL	DESIGN:	DC POWER JACK
X.	±0.50	X.	±2°	liuwendong	PART NO.
X.X	±0.30	X.X	±1°	2015.01.15	DC-118
X.XX	±0.20	X.XX		CHECK:	REV.
X.XXX	±0.10	X.XXX		APPROVED	C
					UNIT: mm
					SHEET: 1/1