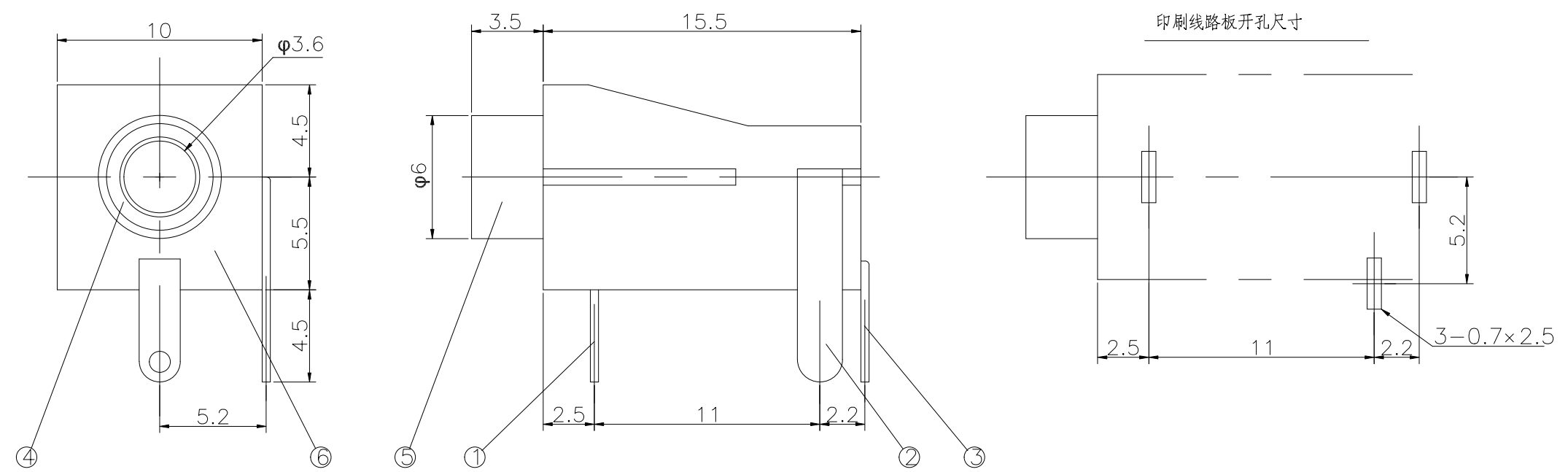


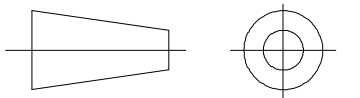
SCHMATIC



DONGGUAN DISONG ELECTRONIC CO., LTD.

TITLE : PHONE JACK

MODEL : ST-302B



TOLERANCE
 <=5mm ±0.1
 > 5mm ±0.2

ANGLE TOL
 ±2°

NO.	PART NAME	MATERIAL	QTY.	FINISHING
3	TERMINAL B\C	PBS STRIP t=0.2mm	2	Ag PLATED
2	TERMINAL D	BRASS STRIP t=0.4mm	1	Ag PLATED
1	HOUSING	PBT	1	BLACK/GREEN

UNIT	MM	DWN.	DATE
SCALE	4 : 1	CHK'D	DATE
VERSION	01	APPD.	DATE