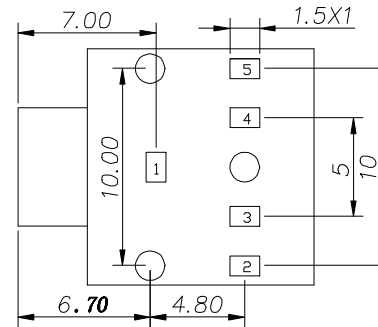


P.C.B LAYOUT TOPVIEW

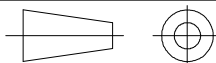


DONGGUAN DISONG ELECTRONIC CO., LTD.

TITLE : PHONE JACK

MODEL : ST-306

UNIT : MM	DWN.	DATE
SCALE : 4 : 1	CHK'D	DATE
VERSION 01	APPD.	DATE



TOLERANCE
 <=5mm ±0.1
 > 5mm ±0.2

ANGLE TOL
 ±2°

NO.	PART NAME	MATERIAL	QTY	FINISHING
3	TERMINAL B/C	PBS STRIP t=0.2mm	2	Ag PLATED
2	TERMINAL D	BRASS STRIP t=0.4mm	1	Ag PLATED
1	HOUSING	PBT	1	BLACK/GREEN
NO.	PART NAME	MATERIAL	QTY	FINISHING