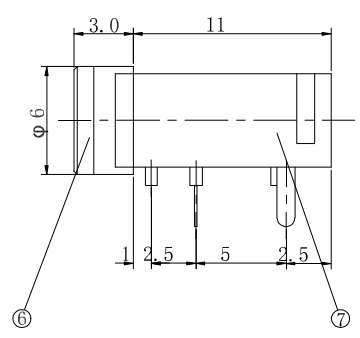
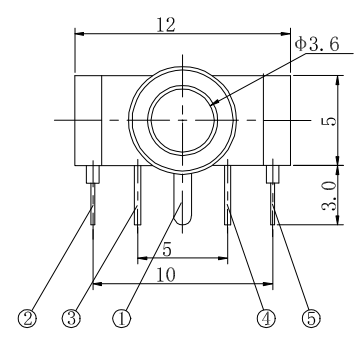
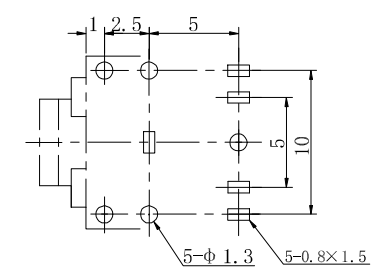


SCHMATIC



印制线路板开孔尺寸



DONGGUAN DISONG ELECTRONIC CO., LTD.										
TITLE : PHONE JACK										
MODEL : ST-307铜套										
UNIT :	MM	DWN.		DATE		3	TERMINAL B/C	PBS STRIP t=0.2mm	2	Ag PLATED
SCALE :	4 : 1	CHK'D		DATE		2	TERMINAL D	BRASS STRIP t=0.4mm	1	Ag PLATED
VERSION	01	APPD.		DATE		1	HOUSING	PBT	1	BLACK/GREEN
						NO.	PART NAME	MATERIAL	QTY	FINISHING