

REV.	DESCRIPTION	DRAW.	DATE.

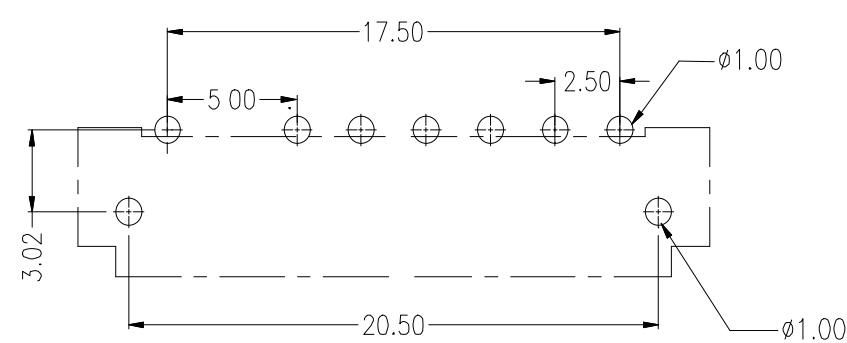
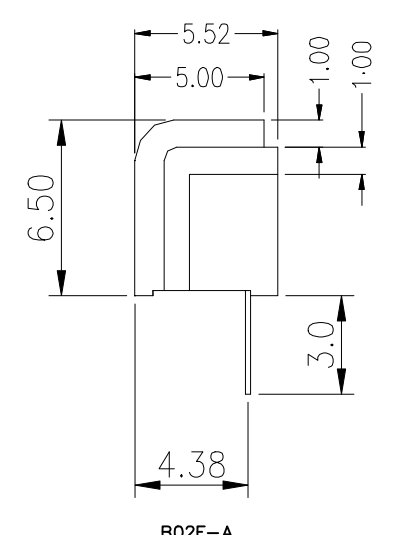
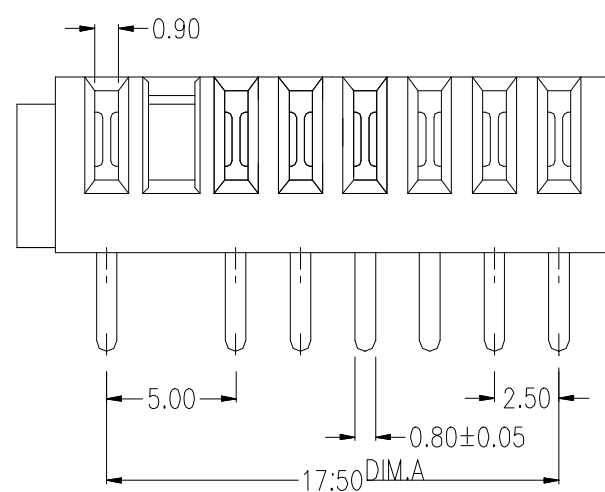
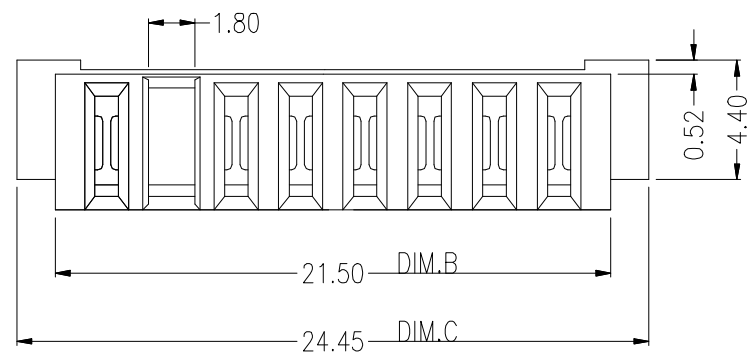
NOTE:

1. MATERIAL:
 - 1.1 HOUSING: PA9T, UL 94V-0
 - 1.2 TERMINAL: Phosphor Bronze
2. FINISH:
 - 2.1 TERMINAL: NICKEL 50 μ"MIN UNDER PLATED OVERALL, Au PLATED ON THE CONTACT AREA. OR Tin ON THE SOLDERING AREA.
3. PRODUCT SPECIFICATION
 - 3.1 CURRENT RATING :5A
 - 3.2 VOLTAGE RATING : 30V AC
 - 3.3 DIELECTRIC WITHSTANDING VOLTAGE:500VAC
 - 3.4 INSULATION RESISTANCE: **100MΩ min.**
 - 3.5 CONTACT RESISTANCE: **30mΩ Max.**
 - 3.6 Operating Temperature: **-40° ~105°**

No. of Pins	Dimension		
	DIM A	DIM B	DIM.C
05	12.50	16.50	19.45
06	15.00	19.00	21.95
07	17.50	21.50	24.45
08	20.00	24.00	26.95
09	22.50	26.50	29.45
10	25.00	29.00	31.95

DISONG ELECTRONIC CO.,LTD.

UNLESS OTHERWISE SPECIFIED, TOLERANCE: X. i∆0.20 X.x i∆0.10 X.xx i∆0.05 ANGULAR i∆2i∆	DESIGN	Y.Q.H	DATE	2014.08.26	TITLE:	
	APPROVED		DATE		B02F-A-S2	
	PART NO		REV: 01		SCALE: 1:1	UNIT: MM
	DRAWING NO		SIZE: A4		SHEET: 1/1	



Recommended P.C.B Lavout