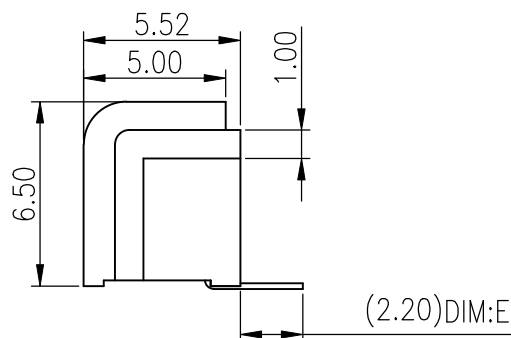
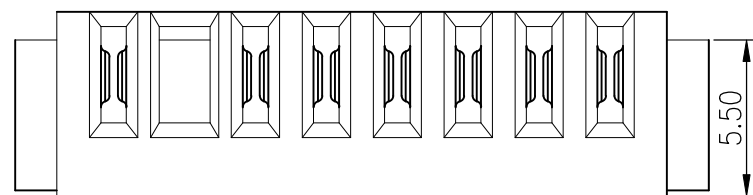
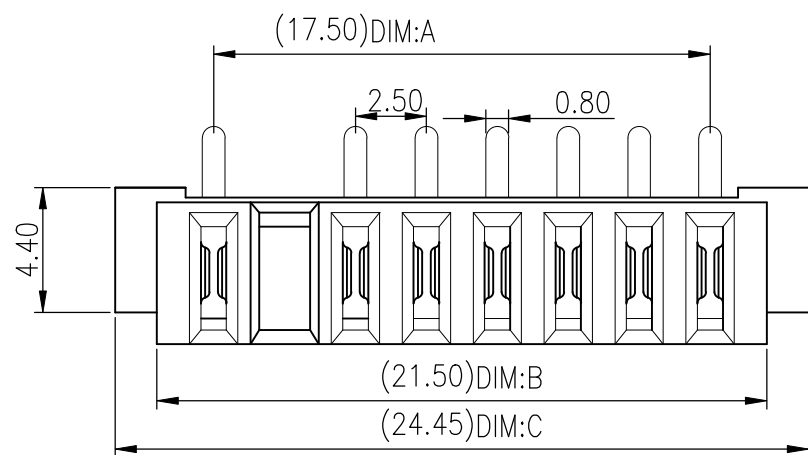
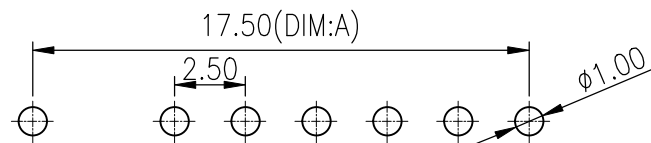


REV.	DESCRIPTION	DRAW.	DATE.



No:of pins	Dimension			
	DIM.A	DIM.B	DIM.C	DIM.E
03	5.00	9.00	11.95	2.20
04	7.50	11.50	14.45	2.20
05	10.00	14.00	16.95	2.20
06	12.50	16.50	19.45	2.20
07	15.00	19.00	21.96	2.20
08	17.50	21.50	24.45	2.20
09	20.00	24.00	26.95	2.20
10	22.50	26.50	29.45	2.20
11	25.00	29.00	31.95	2.20

Material
 Insulator:Nylon 9T(UL94V-0)
 Contact:phosphor Bronze
 Contact PlatedGold over Nickel or Tin
 Specification
 Current rating:7A
 instant CURRENT:10A
 Contact Resistance:30MΩ
 Insulation Resistance:100MΩ
 Dielectric Voltage:500V
 Operdting Temperature:-40°~105°



Recommended P.C.B Layout
 Layout Tolerance=+/-0.05mm

DISONG ELECTRONIC CO.,LTD.

UNLESS OTHERWISE SPECIFIED,TOLERANCE: X. ±0.50 X.x ±0.30 X.xx ±0.20 ANGULAR ±2°	DESIGN	F.H.T	DATE	2016.04.08	TITLE: Battery 90° 2.5mm Pitches Female Connector	
	APPROVED		DATE		SCALE: 1:1	UNIT: mm
	PART NO	B02F-A-L1	REV: 01		SHEET: 1/1	
	DRAWING NO	B02F-A-L1	SIZE: A4			