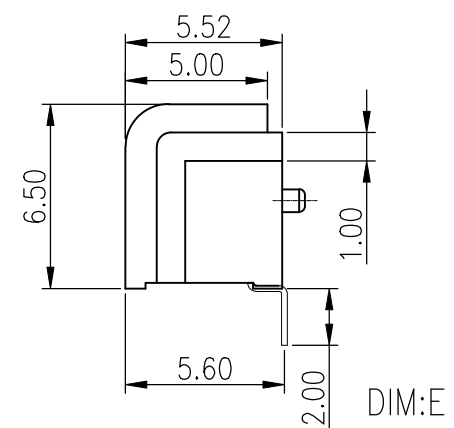
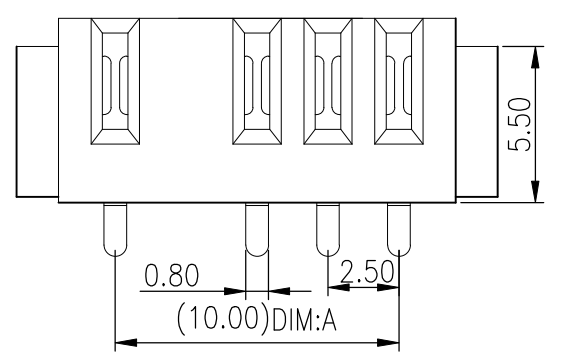
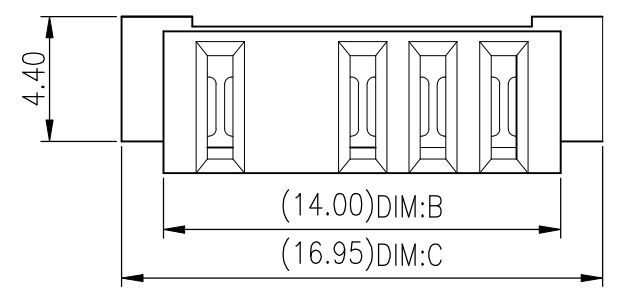
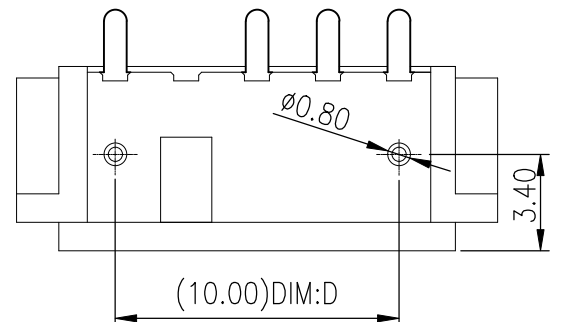
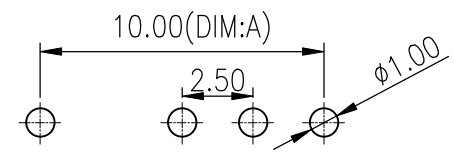


REV.	DESCRIPTION	DRAW.	DATE.



No:of pins	Dimension				
	DIM.A	DIM.B	DIM.C	DIM.D	DIM.E
03	7.50	11.50	14.45	7.50	2.00
04	10.00	14.00	16.95	10.00	2.00
05	12.50	16.50	19.45	12.50	2.00
06	15.00	19.00	21.95	15.00	2.00
07	17.50	21.50	24.45	17.50	2.00
08	20.00	24.00	26.95	20.00	2.00
09	22.50	26.50	29.45	22.50	2.00
10	25.00	29.00	31.95	25.00	2.00

Material
 Insulator:Nylon 9T(UL94V-0)
 Contact:phosphor Bronze
 Contact Plated:Gold over Nickel or Tin
 Specification
 Current rating:7A
 instant CURRENT:10A
 Contact Resistance:30MΩ
 Insulation Resistance:100MΩ
 Dielectric Voltage:500V
 Operdting Temperature:-40°~105°



Recommended P.C.B Layout
 Layout Tolerance=+/-0.05mm

DISONG ELECTRONIC CO.,LTD.

UNLESS OTHERWISE SPECIFIED,TOLERANCE: X. ±0.20 X.x ±0.15 X.xx ±0.10 ANGULAR ±2°	DESIGN	Y.Q.H	DATE	2014.08.26	TITLE: Battery 180° 2.5mm Pitches Femalee Connector	
	APPROVED		DATE			
	PART NO	B05F-A-SMT	REV:	01	SCALE:	1:1 UNIT: mm
	DRAWING NO	B05F-A-SMT	SIZE:	A4	SHEET:	1/1