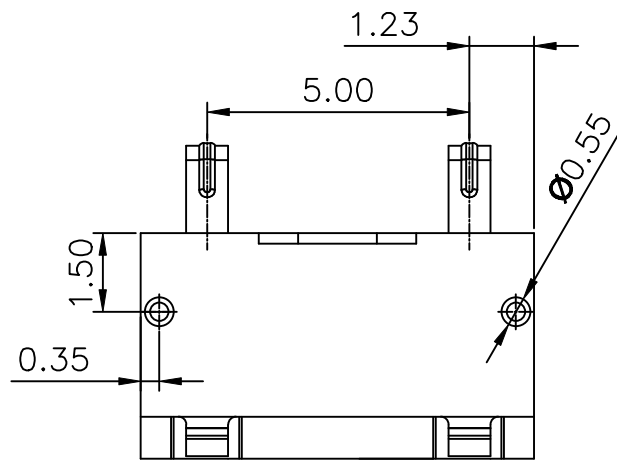


RECOMMENDED PCB LAYOUT
TOP VIEW (. XX ± 0.05)



PART NO.	DIM A	DIM B	2	HOUSING	LCP	1	BLACK
BC-2-202	5.4	4.4	1	CONTACT TERMINAL	PHOSPHOR BRONZE	3	Au PLATED
BC-2-202A	8.0	6.5	NO.	PARTS	MATERIAL	QTY.	FINISHING

DISONG ELECTRONIC CO., LTD.

COPYRIGHT RESERVED, PLEASE DO NOT COPY.

PART NAME	CONNECTOR			DRAWING	G.B.Wu	DWG.No.	DS-BC-120
PART NO.	BC-2-202/202A			CHECK	Q.L..Dai	REV.	A0
UNIT : mm	TOLERANCE	UP TO 5	±0.2	APPROVAL	SCALE	DATE	10-09-2017
	OTHERWISE	ABOVE 5 30	±0.3			ANGLE	2:1