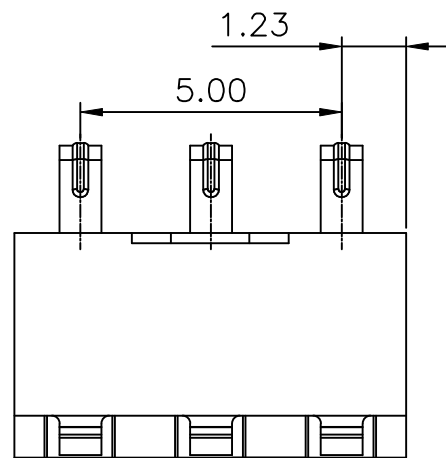


RECOMMENDED PCB LAYOUT
TOP VIEW (. XX ± 0.05)



PART NO.	DIM A	DIM B						
BC-2-203	5.4	4.2						
BC-2-203A	6.0	4.7	2	HOUSING	LCP	1	BLACK	
BC-2-203B	7.0	5.6	1	CONTACT TERMINAL	PHOSPHOR BRONZE	3	Au PLATED	
BC-2-203C	8.0	6.7	NO.	PARTS	MATERIAL	QTY.	FINISHING	

DISONG ELECTRONIC CO., LTD.

COPYRIGHT RESERVED, PLEASE DO NOT COPY.

PART NAME		CONNECTOR		DRAWING	G.B.Wu	DWG.No.	DS-BC-121
PART NO.		BC-2-203/203A/203B/203C		CHECK	Q.L..Dai	REV.	A0
UNIT : mm	TOLERANCE	UP TO 5	±0.2	APPROVAL		DATE	10-09-2017
	OTHERWISE	ABOVE 5 30	±0.3				