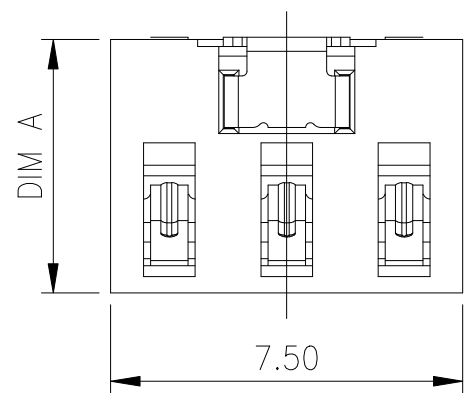


RECOMMENDED PCB LAYOUT  
TOP VIEW (. XX ± 0.05)



ALL SOLDER TAIL & PEG  
0.10

PART NO.	DIM A	DIM B
BC-2-367	5.4	4.2
BC-2-367A	6.0	4.7
BC-2-367B	7.0	5.6
BC-2-367C	8.0	6.7

NO.	PARTS	MATERIAL	QTY.	FINISHING
2	HOUSING	LCP	1	BLACK
1	CONTACT TERMINAL	PHOSPHOR BRONZE	3	Au PLATED

DISONG ELECTRONIC CO., LTD.

COPYRIGHT RESERVED, PLEASE DO NOT COPY.

PART NAME	CONNECTOR			DRAWING	G.B.Wu	DWG.No.	DS-BC-116
PART NO.	BC-2-367/367A/367B/367C			CHECK	Q.L.Dai	REV.	A0
UNIT :	TOLERANCE	UP TO 5	±0.2	ANGLE	APPROVAL	DATE	10-09-2017
mm	OTHERWISE	ABOVE 5 30	±0.3	0°±3°	SCALE	PAGE	1 OF 1
		ABOVE 30	±0.5				
		ANGLE	±3°				