

F

E

D

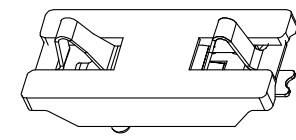
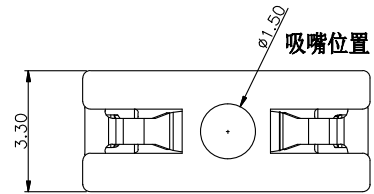
C

B

A

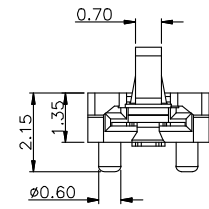
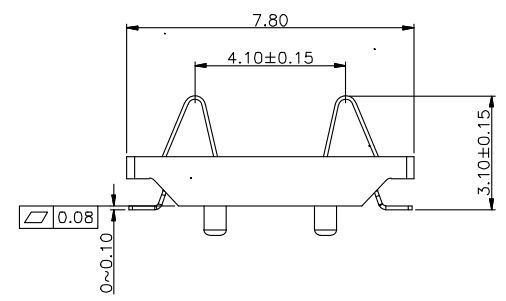
1

1



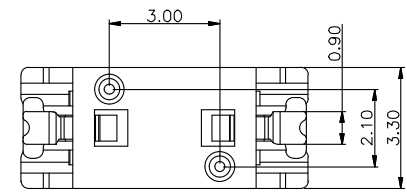
2

2



3

3



技术要求

- 1、ELECTRICAL CHARACTERISTICS(电气性能):
 - 1.1 Rating(额定值): DC 50V 0.5A
 - 1.2 Contact Resistance(接触电阻): 40mΩ Max
 - 1.3 Insulation Resistance(绝缘电阻): ≤500MΩ
 - 1.4 Life(寿命): 3000 Cycles MIN
- 2、ELECTRICAL temperature rang(使用温度范围): -10° C~+60°

4

4

| 2 | HOUSING | LCP | 1 | BLACK |
|-----|------------------|-----------------|------|-----------|
| 1 | CONTACT TERMINAL | PHOSPHOR BRONZE | 3 | Au PLATED |
| NO. | PARTS | MATERIAL | QTY. | FINISHING |

DISONG ELECTRONIC CO., LTD.

COPYRIGHT RESERVED, PLEASE DO NOT COPY.

| | | | | | | | |
|--------------|------------------------|--------------|------|----------|----------|---------|------------|
| PART NAME | | CONNECTOR | | DRAWING | G.B.Wu | DWG.No. | DS-BC-108 |
| PART NO. | | BC-1-215A | | CHECK | Q.L..Dai | REV. | A0 |
| UNIT : mm | TOLERANCE OTHERWISE | UP TO 5 | ±0.2 | APPROVAL | SCALE | DATE | 03-11-2019 |
| | | ABOVE 5 ~ 30 | ±0.3 | | | | |
| | | ABOVE 30 | ±0.5 | ANGLE | 2:1 | PAGE | 1 OF 1 |
| | | ANGLE | ±3° | | | | |

F

E

D

C

B

A