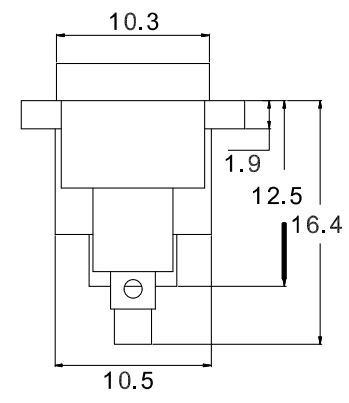
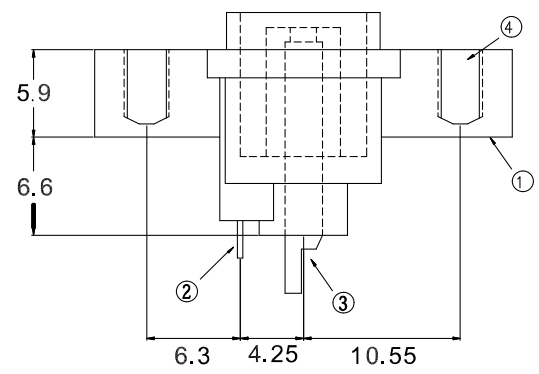
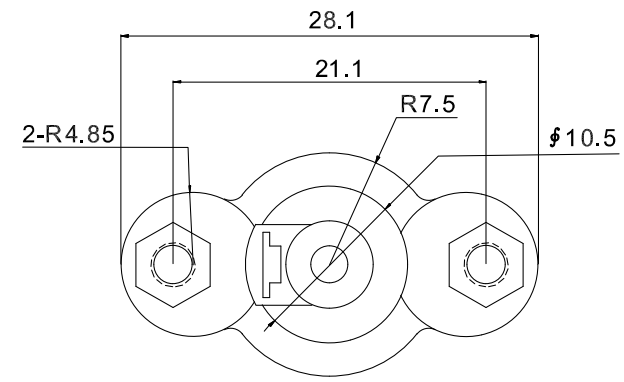


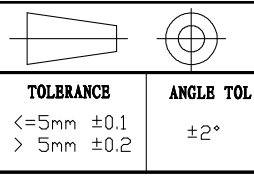
SCHEMATIC



主要技术性能		公差
额定电负荷	DC 30V/3.0A	X \pm 0.20
接触电阻	$\leq 0.03\Omega$. X \pm 0.10
绝缘电阻	$\geq 100M\Omega$. XX \pm 0.05
耐压	AC500V(50Hz)/min	. XXX \pm 0.02
插拔力	3-20N	X \pm 5°
使用温度范围	-30-70°C	. X \pm 2°
使用寿命	5000次	. XX \pm 1°

DONGGUAN DISONG ELECTRONIC CO., LTD.

TITLE : DC POWER JACK				
MODEL : DC-110A				
UNIT : MM	DWN.	DATE		
SCALE : 4 : 1	CHK'D	DATE		
VERSION	01	APPD.	DATE	



NO.	PART NAME	MATERIAL	QTY	FINISHING
5	TERMINAL C	BRASS STRIP	2	Ag PLATED
4	TERMINAL B	PBS STRIP	1	Ag PLATED
3	TERMINAL A	BRASS STRIP	2	Ag PLATED
2	PIN	BRASS	1	Ag PLATED
1	CASE	NYLON	1	BLACK
NO.	PART NAME	MATERIAL	QTY	FINISHING