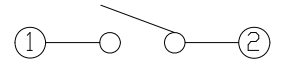
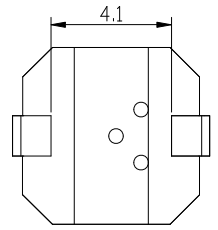
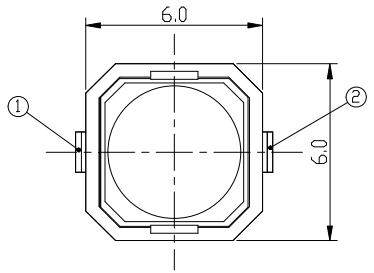
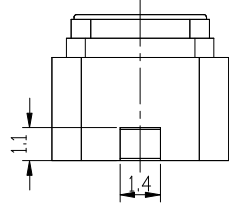
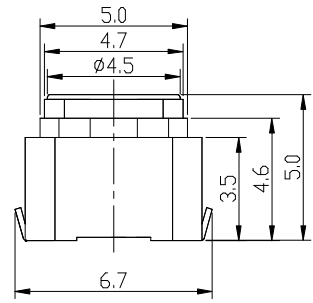


CAD FILE:



SCHEMATIC



8					TOLERANCE UNLESS SPECIFIED	DONGGUAN DISONG ELECTRONIC CO., LTD.				
7										
6					WITHIN: 1.5±0.1mm	ISSUE	DATE	DESCRIPTIONS OF REVISION	APPD.	
5					OVER: 1.5±0.2mm					
4	CONTACT	SUS	1	Ag CLAD	TITLE : TACT SWITCH			UNIT : mm	DRWG NO.: TD-030	
3	CASE	NYLON 46/NYLON+F.G/BRASS STRIP	1	BLACK/Ag PLATED				SCALE: 6:1	DWN.	ZHOUYU
2	COVER	PET/ZINC PLATE	1	WHITE/Ni PLATED	MODEL:TD-030			CHK'D	FANGYING	2005-3-27
1	NOB	NYLON+F.G	1	BLACK				APPD.	KANGXINAN	2005-3-27
NO.	PARTS	MATERIALS	Q'TY	FINISH	ALL MATERIALS MUST BE COMPLIANT TO ROHS					