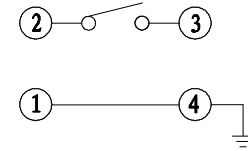
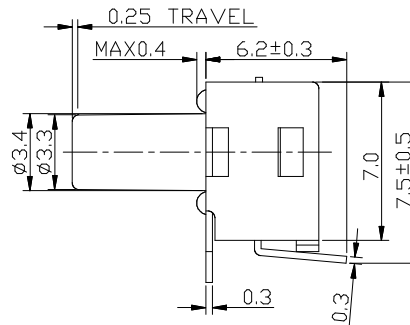
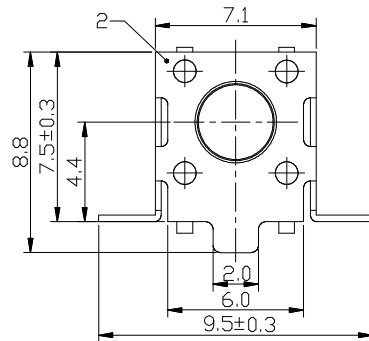
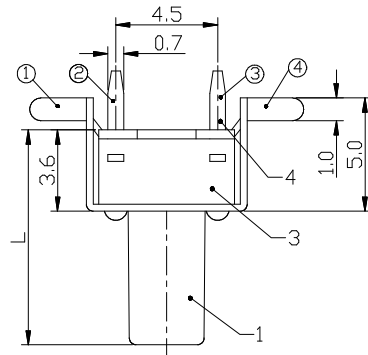


CAD FILE:



SCHEMATIC

8					TOLERANCE UNLESS SPECIFIED	DONGGUAN DISONG ELECTRONIC CO., LTD.			
7									
6					WITHIN: 1.5±0.1mm OVER: 1.5±0.2mm	ISSUE	DATE	DESCRIPTIONS OF REVISION	APPD.
5									
4	CONTACT	SUS	1	Ag CLAD	TITLE : TACT SWITCH	UNIT : mm	DRWG NO.: TD-031		
3	CASE	NYLON 46/NYLON+F.G/BRASS STRIP	1	BLACK/Ag PLATED			MODEL:TD-031	SCALE: 6:1	DWN.
2	COVER	PET/ZINC PLATE	1	WHITE/Ni PLATED	ALL MATERIALS MUST BE COMPLIANT TO ROHS	APPD.			CHK'D
1	NOB	NYLON+F.G	1	BLACK					APPD.
NO.	PARTS	MATERIALS	Q'TY	FINISH					