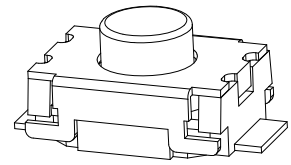
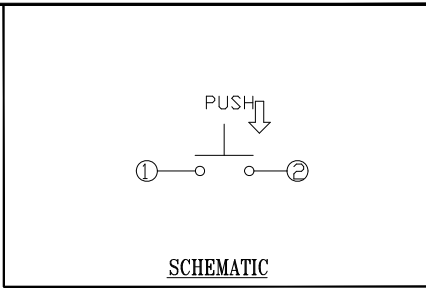
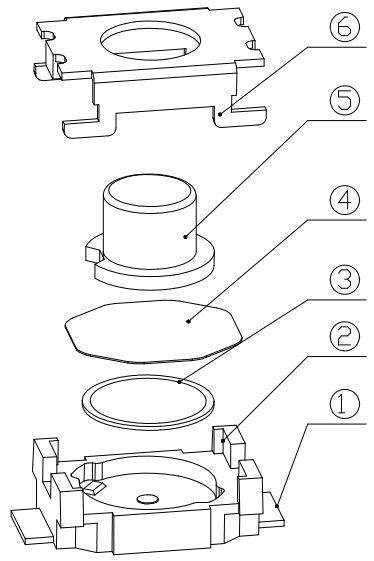
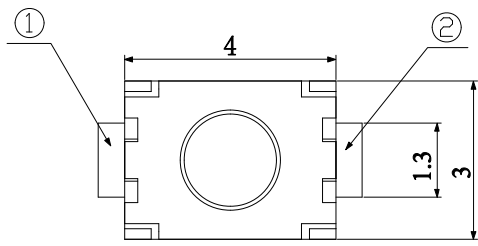
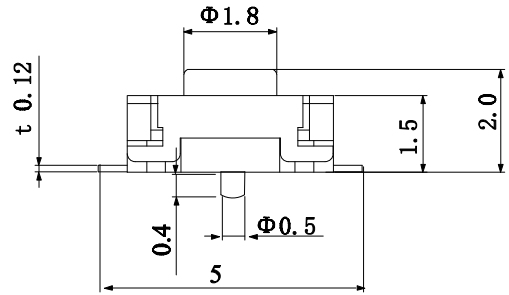


CAD FILE:



8					TOLERANCE UNLESS SPECIFIED	DONGGUAN DISONG ELECTRONIC CO., LTD.				
7										
6					WITHIN : 1.5±0.1mm OVER : 1.5±0.2mm	ISSUE	DATE	DESCRIPTIONS OF REVISION		APPD.
5										
4	CASE	NYLON/NYLON+94V0	1	BLACK/Ag PLATED	TITLE : TACT SWITCH		UNIT : mm	DRWG NO.: TD-036		
3	CONTACT	SEE CONTACT CHART	1	Ag CLAD				MODEL: TD-036		SCALE: 5:1
2	COVER	0.3 mm ZINC PLATE/PET	1	SEE COVER CHART	ALL MATERIALS MUST BE COMPLIANT TO ROHS		SCALE: 5:1	CHK'D	FANGYING	2004-9-12
1	NOB	POM/NYLON/NYLON+94V0	1	SEE NOB CHART				APPD.	KANGXINAN	2004-9-12
NO.	PARTS	MATERIALS	Q'TY	FINISH						