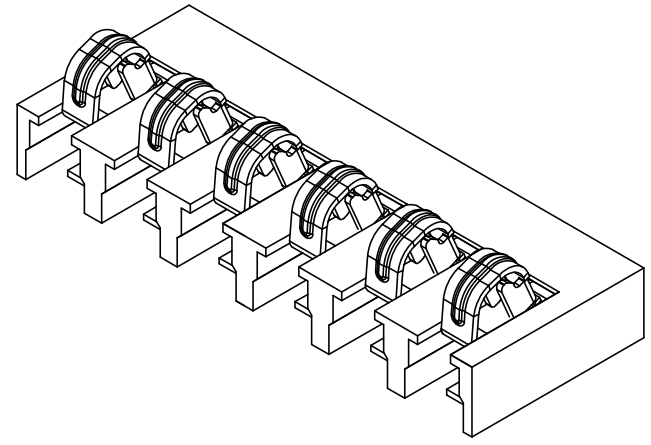


F E D C B A

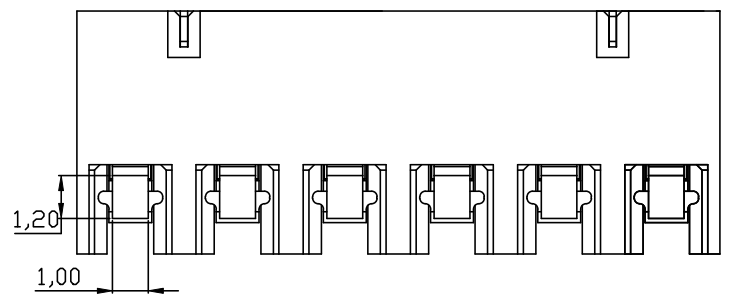
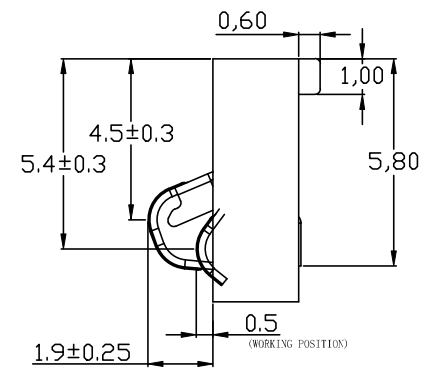
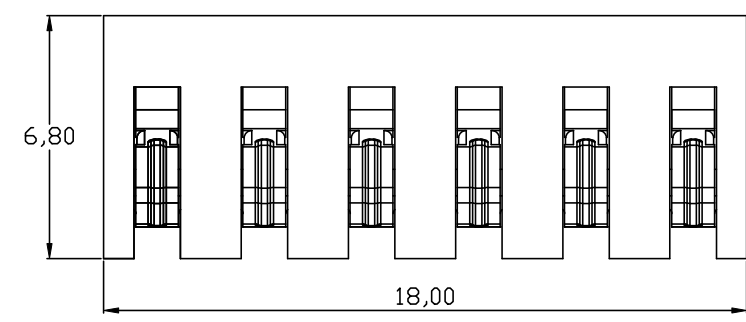
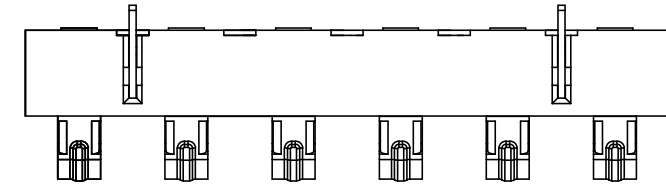
1



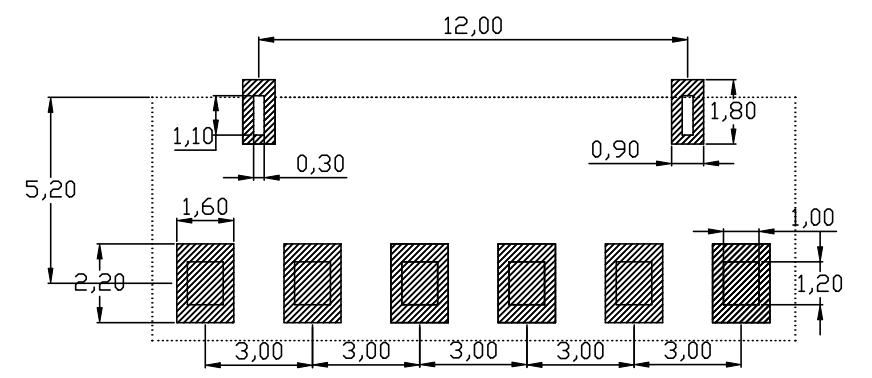
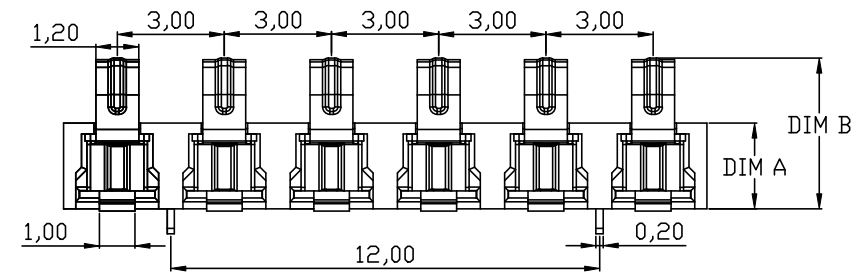
性能:

- 额定电流: 3.0A
- 额定电压: 24V
- 耐电压: 500V
- 接触电阻: 30mΩ MAX
- 绝缘电阻: 500MΩ
- 工作温度: -40℃~+85℃
- 塑件(材质): LCP, 耐高温260℃
- 接触点(材质): 铜合金, 触点镀金3U'

2



3



RECOMMENDED PCB LAYOUT
TOP VIEW (.XX±0.05)

4

PART NO.	DIM A	DIM B	2	HOUSING	LCP	1	BLACK
BC-1-611-C01	2.4	4.30±0.25	1	CONTACT TERMINAL	PHOSPHOR BRONZE	3	Au PLATED
BC-1-611A-C01	3.5	5.40±0.25	NO.	PARTS	MATERIAL	QTY.	FINISHING

DISONG ELECTRONIC CO., LTD.

COPYRIGHT RESERVED, PLEASE DO NOT COPY.

PART NAME		CONNECTOR		DRAWING		G.B.Wu		DWG.No.		DS-BC-111	
PART NO.		BC-1-611/611A-C01		CHECK		Q.L..Dai		REV.		A0	
UNIT : mm	TOLERANCE	UP TO 5	±0.2	ANGLE	APPROVAL	SCALE	2:1	DATE	PAGE	06-09-2017	
	OTHERWISE	ABOVE 5 30 ~	±0.3							0°±3'	1 OF 1

F E D C B A