

F

E

D

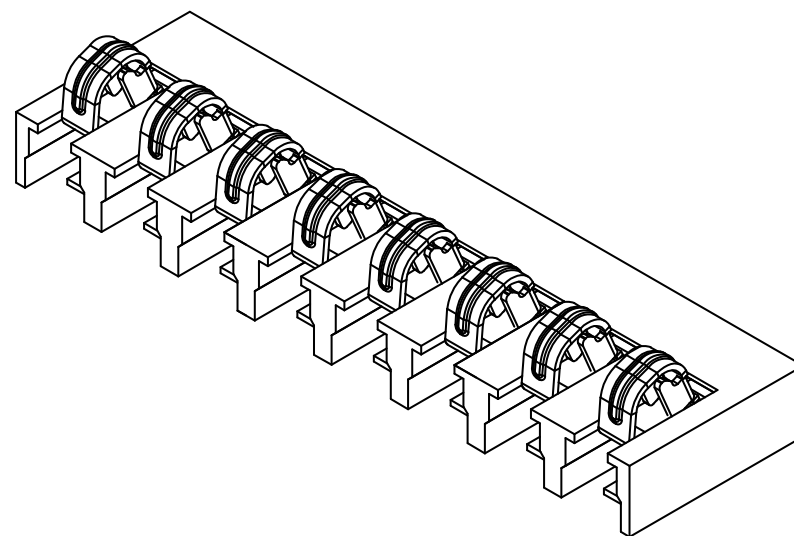
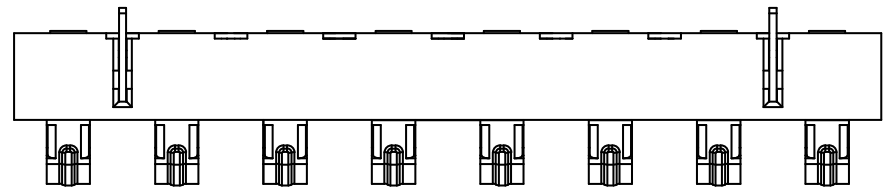
C

B

A

1

1



性能:

额定电流: 3.0A

额定电压: 24V

耐电压: 500V

接触电阻: 30mΩ MAX

绝缘电阻: 500MΩ

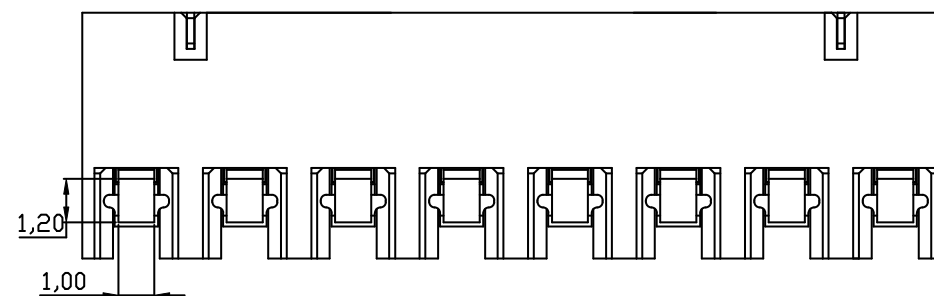
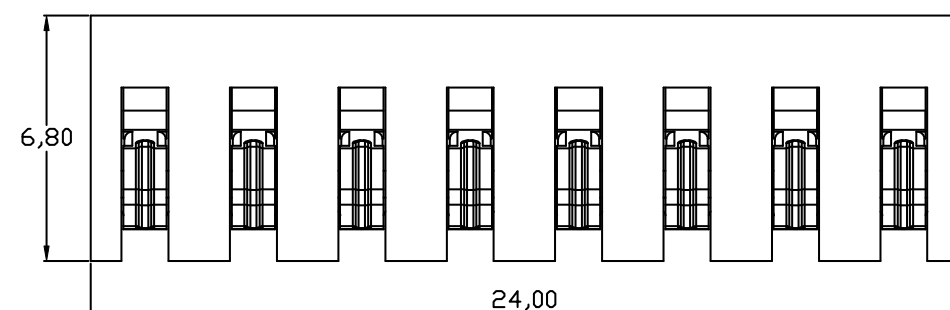
工作温度: -40℃~+85℃

塑件(材质): LCP, 耐高温260℃

接触点(材质): 铜合金, 触点镀金3U

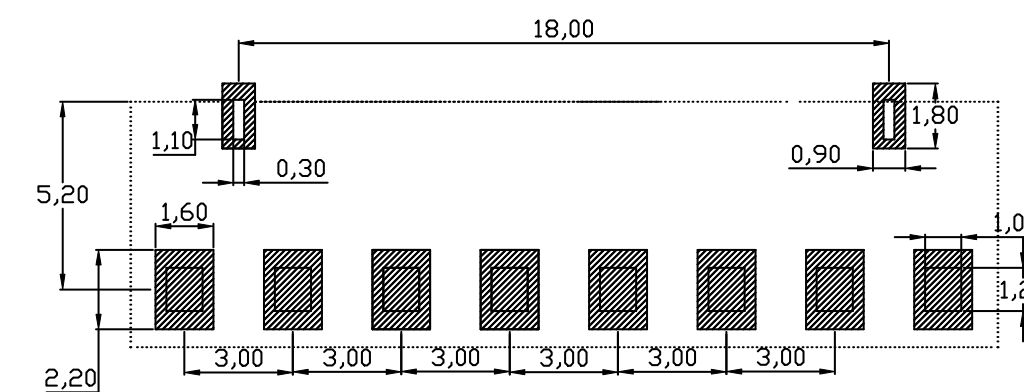
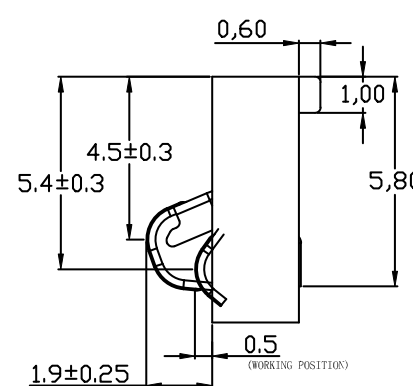
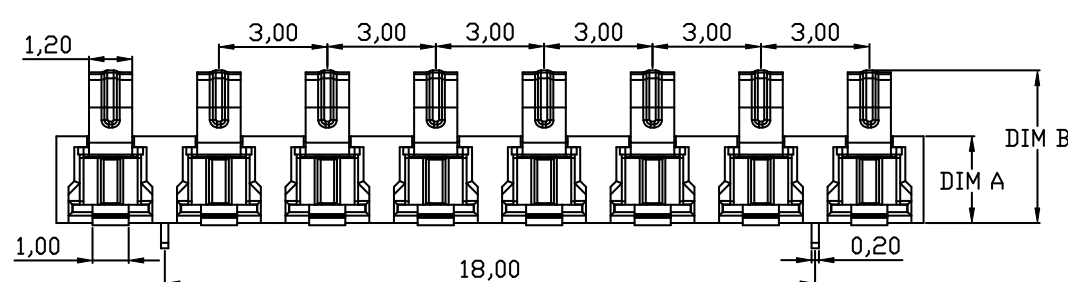
2

2



3

3

RECOMMENDED PCB LAYOUT
TOP VIEW (.XX±0.05)

4

4

PART NO.	DIM A	DIM B	2	HOUSING	LCP	1	BLACK
BC-1-803-C01	2.4	4.30±0.25	1	CONTACT TERMINAL	PHOSPHOR BRONZE	3	Au PLATED
BC-1-803A-C01	3.5	5.40±0.25	NO.	PARTS	MATERIAL	QTY.	FINISHING

DISONG ELECTRONIC CO., LTD.

PART NAME	CONNECTOR		DRAWING	G.B.Wu	DWG.No.	DS-BC-116
PART NO.	BC-1-803/803A-C01		CHECK	Q.L.Dai	REV.	A0
UNIT : mm	TOLERANCE	UP TO 5 ±0.2	ANGLE	APPROVAL	DATE	06-13-2018
	OTHERWISE	ABOVE 5 30 ~ ±0.3	0°±3'	SCALE	PAGE	1 OF 1
		ABOVE 30 ±0.5				
		ANGLE ±3'				

COPYRIGHT RESERVED, PLEASE DO NOT COPY.

F

E

D

C

B

A