

F

E

D

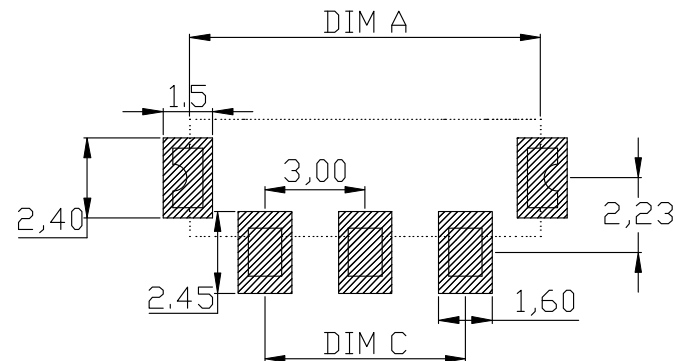
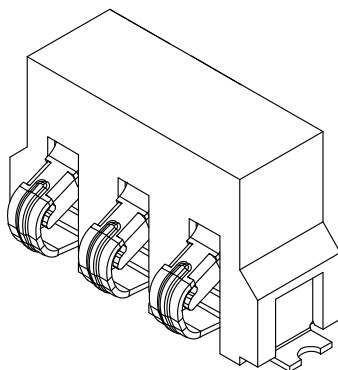
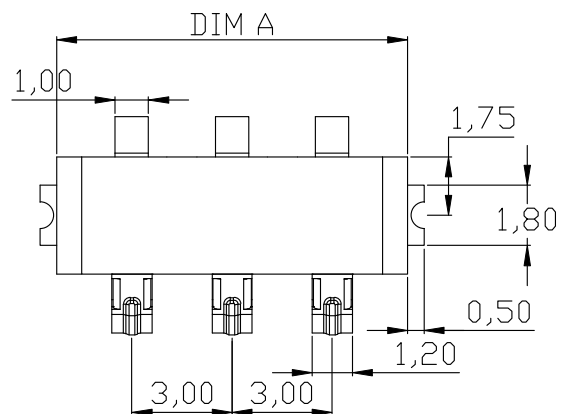
C

B

A

1

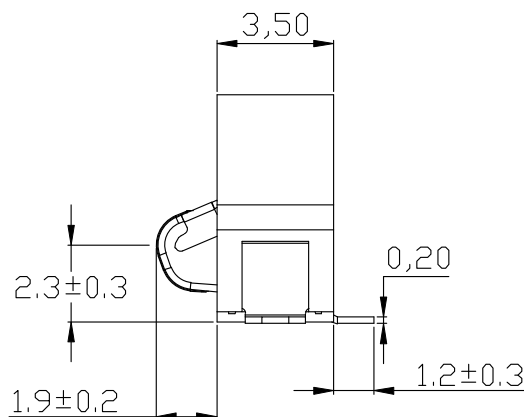
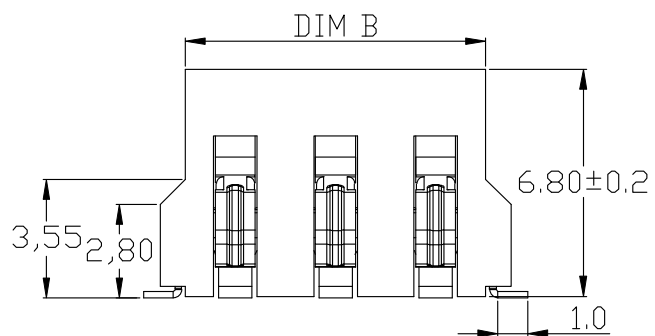
1



RECOMMENDED PCB LAYOUT
TOP VIEW (. XX±0.05)

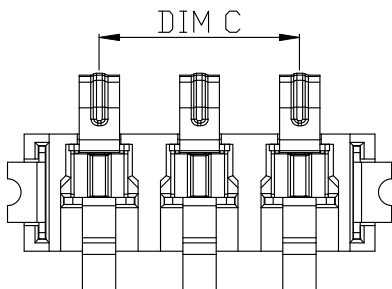
2

2



3

3



PART NO.	DIM A	DIM B	DIM C
BC-2-240	7.5	6.0	3.0
BC-2-372	10.5	9.0	6.0
BC-2-412	13.5	12.0	9.0
BC-2-505	16.5	15.0	12.0
BC-2-605	19.5	18.0	15.0

4

4

NO.	PARTS	MATERIAL	QTY.	FINISHING
2	HOUSING	LCP	1	BLACK
1	CONTACT TERMINAL	PHOSPHORUS COPPER	3	Au PLATED

DISONG ELECTRONIC CO., LTD.

COPYRIGHT RESERVED, PLEASE DO NOT COPY.

PART NAME		CONNECTOR		DRAWING	G.B.Wu	DWG.No.	DS-BC-230
PART NO.		BC-2-240 372 412 505 605		CHECK	Q.L.Dai	REV.	A0
UNIT		TOLERANCE	ANGLE	APPROVAL	DATE	15-08-2021	
mm		OTHERWISE	0°±3'	SCALE	2:1	PAGE	1 OF 1
		UP TO 5	±0.2				
		ABOVE 5 ~ 30	±0.3				
		ABOVE 30	±0.5				
		OTHERWISE	±3'				

F

E

D

C

B

A