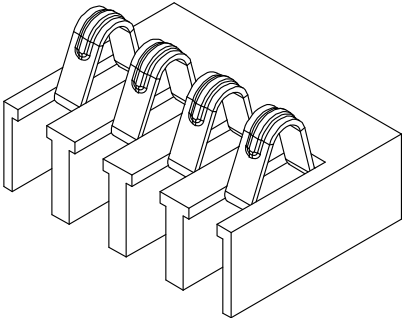
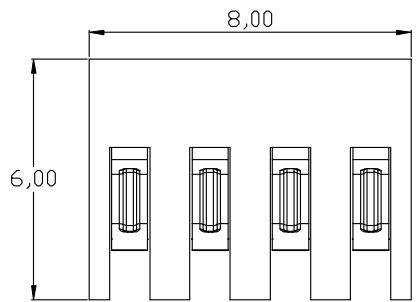


F E D C B A

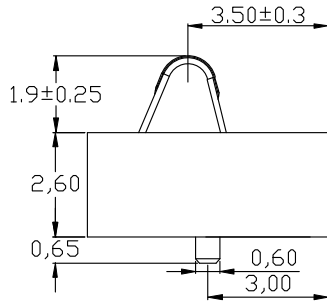
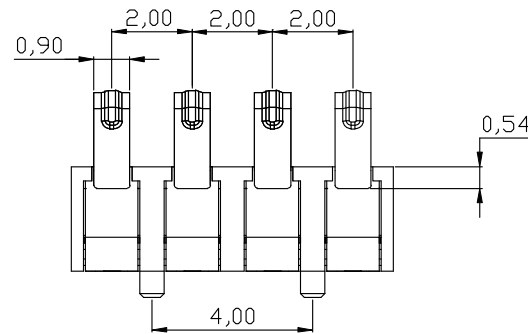
1



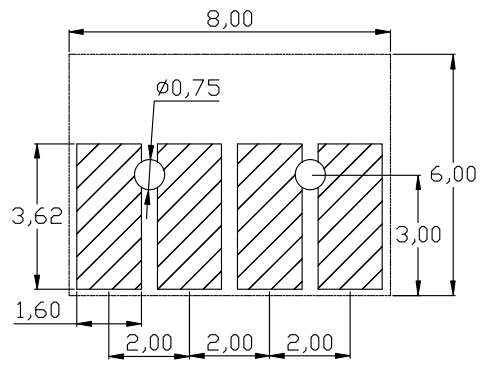
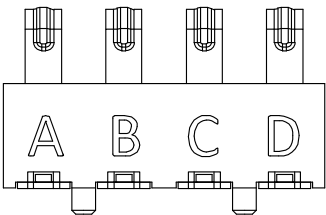
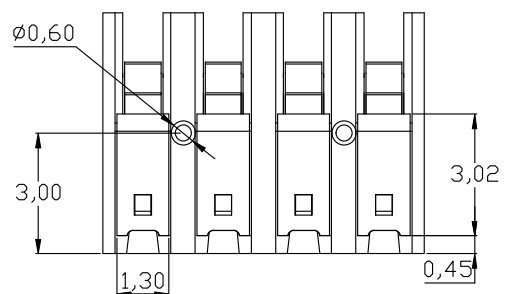
性能:

- 额定电流: 2.0A
- 额定电压: 12V
- 耐电压: 500V
- 接触电阻: 30mΩ MAX
- 绝缘电阻: 500MΩ
- 工作温度: -40℃ ~ +85℃
- 塑件(材质): LCP黑色
- 接触点(材质): 铜合金, 触点镀金3U
- 使用寿命: 3000次以上

2



3



RECOMMENDED PCB LAYOUT
TOL: (± 0.05)

4

2	HOUSING	LCP	1	BLACK
1	CONTACT TERMINAL	PHOSPHOR BRONZE	3	Au PLATED
NO.	PARTS	MATERIAL	QTY.	FINISHING

DISONG ELECTRONIC CO., LTD.

COPYRIGHT RESERVED, PLEASE DO NOT COPY.

PART NAME		CONNECTOR		DRAWING	G.B.Wu	DWG.No.	DS-BC-101
PART NO.		BC-1-426		CHECK	Q.L.Dai	REV.	A0
	UNIT	TOLERANCE	UP TO 5 ±0.2 ABOVE 5 ~ 30 ±0.3 ABOVE 30 ±0.5 OTHERWISE ±3°	APPROVAL		DATE	29-08-2020
	mm	OTHERWISE		SCALE	2:1	PAGE	1 OF 1

F E D C B A