

F

E

D

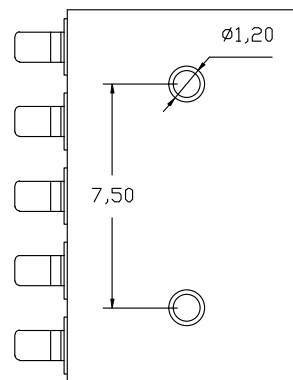
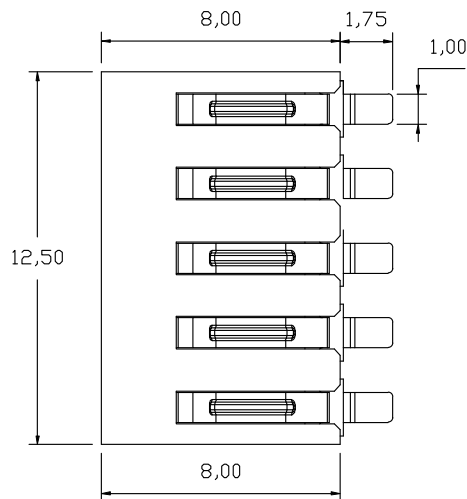
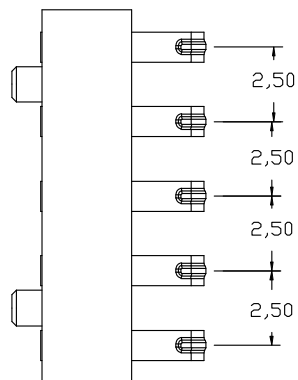
C

B

A

1

1

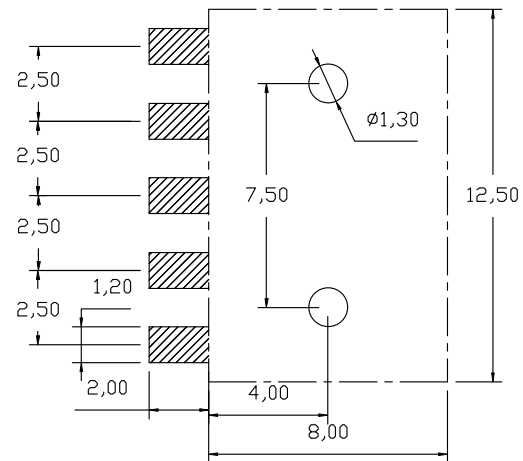
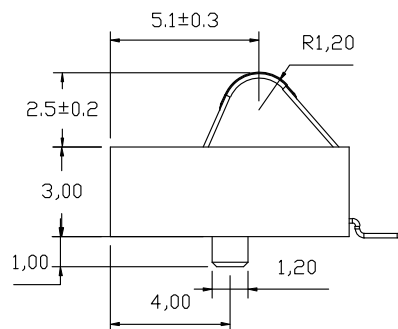
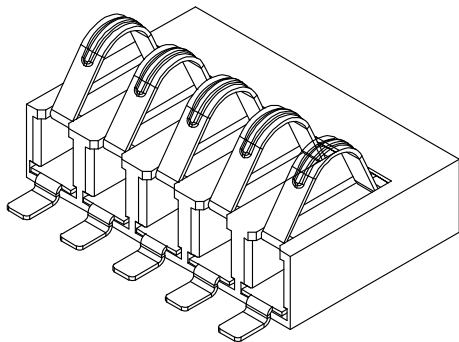


性能:

- 额定电流: 2.0A
- 额定电压: 12V
- 耐电压: 500V
- 接触电阻: 30mΩ
- 绝缘电阻: 500MΩ
- 工作温度: -40℃~+85℃
- 塑件(材质): LCP
- 接触点(材质): 磷铜, 镀金

2

2



RECOMMENDED PCB LAYOUT
TOP VIEW (.XX±0.05)

3

3

4

4

| 2 | HOUSING | LCP | 1 | BLACK |
|-----|------------------|-----------------|------|-----------|
| 1 | CONTACT TERMINAL | PHOSPHOR BRONZE | 3 | Au PLATED |
| NO. | PARTS | MATERIAL | QTY. | FINISHING |

DISONG ELECTRONIC CO., LTD.

COPYRIGHT RESERVED, PLEASE DO NOT COPY.

| | | | | | | | | | | | |
|-----------|--------------|-----------|--------------|---------|-------|----------|--------|------------|--------|-----------|--|
| PART NAME | | CONNECTOR | | DRAWING | | G.B.Wu | | DWG.No. | | DS-BC-114 | |
| PART NO. | | BC-1-511 | | CHECK | | Q.L.Dai | | REV. | | A0 | |
| | UNIT : mm | TOLERANCE | UP TO 5 | ±0.2 | ANGLE | APPROVAL | DATE | 06-03-2022 | | PAGE | |
| | | OTHERWISE | ABOVE 5 30 ~ | ±0.3 | | | | 0°±3' | 1 OF 1 | | |
| | | SCALE | 2:1 | | PAGE | | 1 OF 1 | | | | |

F

E

D

C

B

A