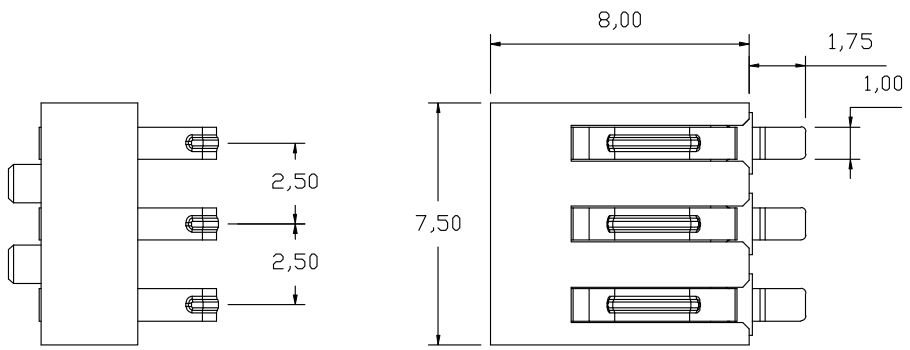


F E D C B A

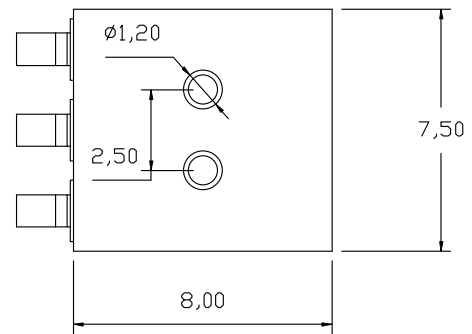
1



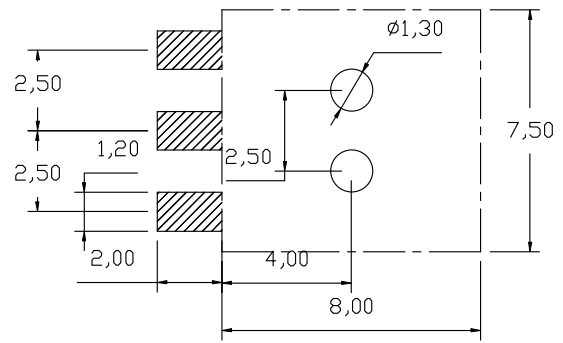
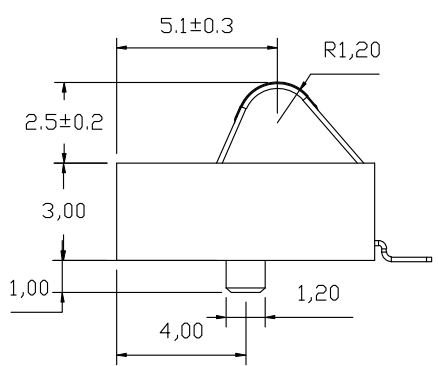
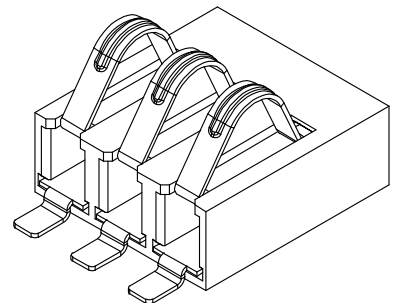
性能:

- 额定电流: 2.0A
- 额定电压: 12V
- 耐电压: 500V
- 接触电阻: 30mΩ
- 绝缘电阻: 500MΩ
- 工作温度: -40℃~+85℃
- 塑件(材质): LCP
- 接触点(材质): 磷铜, 镀金

2



3



4

2	HOUSING	LCP	1	BLACK
1	CONTACT TERMINAL	PHOSPHOR BRONZE	3	Au PLATED
NO.	PARTS	MATERIAL	QTY.	FINISHING

DISONG ELECTRONIC CO., LTD.

COPYRIGHT RESERVED, PLEASE DO NOT COPY.

PART NAME		CONNECTOR		DRAWING		G.B.Wu		DWG.No.		DS-BC-112	
PART NO.		BC-1-336		CHECK		Q.L.Dai		REV.		A0	
	UNIT : mm	TOLERANCE	UP TO 5	±0.2	ANGLE	APPROVAL	DATE	06-03-2022		PAGE	1 OF 1
		OTHERWISE	ABOVE 5 30 ~	±0.3				0°±3'	SCALE		

F E D C B A