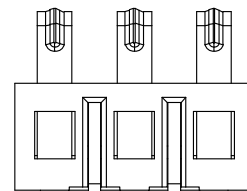
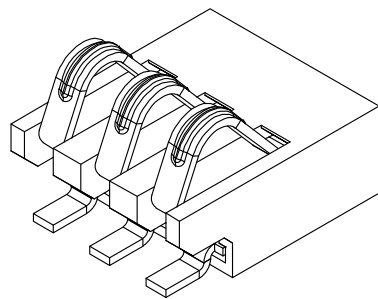
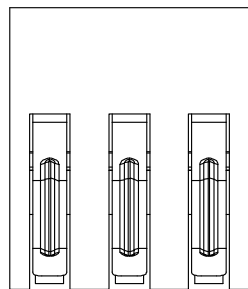


F E D C B A

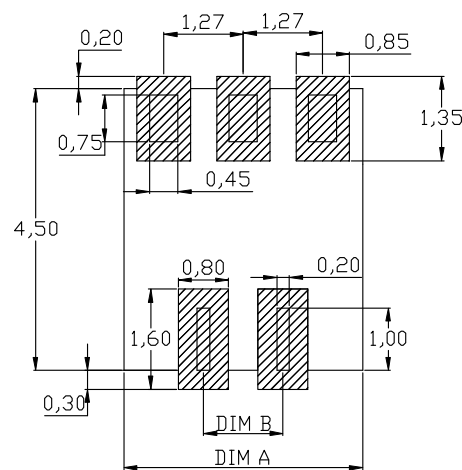
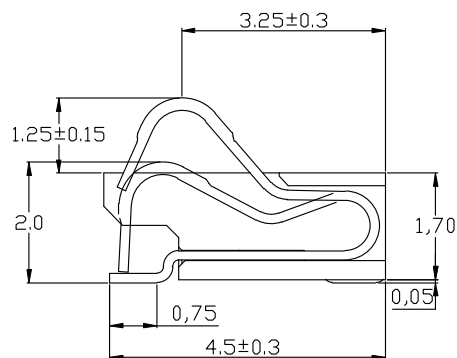
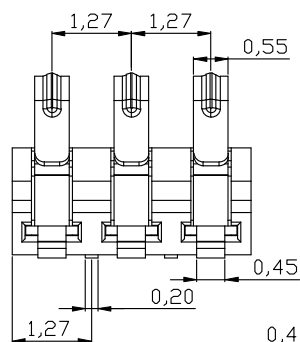
1



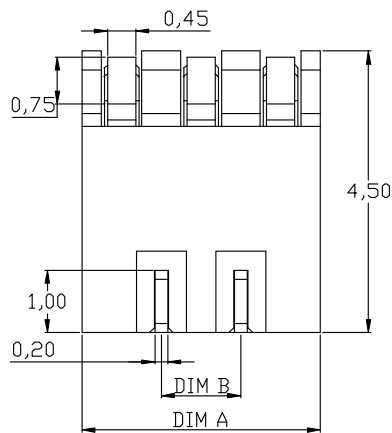
性能:

额定电流: 1.0A
 额定电压: 12V
 耐电压: 500V
 接触电阻: 30mΩ MAX
 绝缘电阻: 500MΩ
 工作温度: -40℃~+85℃
 塑件(材质): LCP E130I
 接触点(材质): 铜合金, 触点镀金15μ

2



3



RECOMMENDED PCB LAYOUT
 TOP VIEW (. XX ± 0.05)

PART NO.	DIM A	DIM B
BC-1-217	2.54	
BC-1-337	3.81	1.27
BC-1-427	5.08	2.54
BC-1-512	6.35	3.81
BC-1-612	7.62	5.08

4

NO.	PARTS	MATERIAL	QTY.	FINISHING
2	HOUSING	LCP	1	BLACK
1	CONTACT TERMINAL	PHOSPHOR BRONZE	3	Au PLATED

东莞市朗顿电子科技有限公司

COPYRIGHT RESERVED, PLEASE DO NOT COPY.

PART NAME		CONNECTOR		DRAWING	G.B.Wu	DWG.No.	DS-BC-113
PART NO.		BC-1-217 337 427 512 612		CHECK	Q.L.Dai	REV.	A0
UNIT : mm	TOLERANCE	UP TO 5	±0.2	APPROVAL	DATE	PAGE	23-04-2022
	OTHERWISE	ABOVE 5 30 ~	±0.3				
		ABOVE 30	±0.5				
		ANGLE	±3°				

F E D C B A