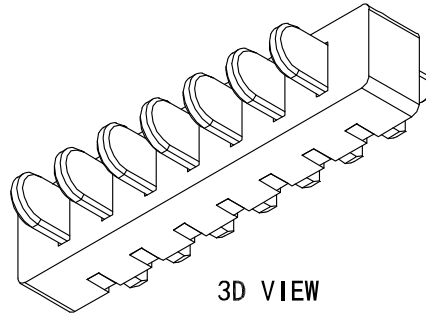
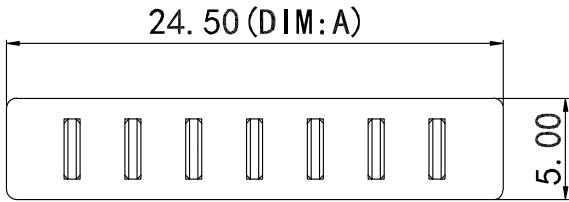


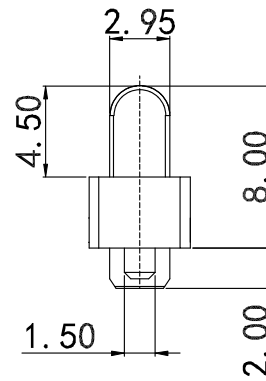
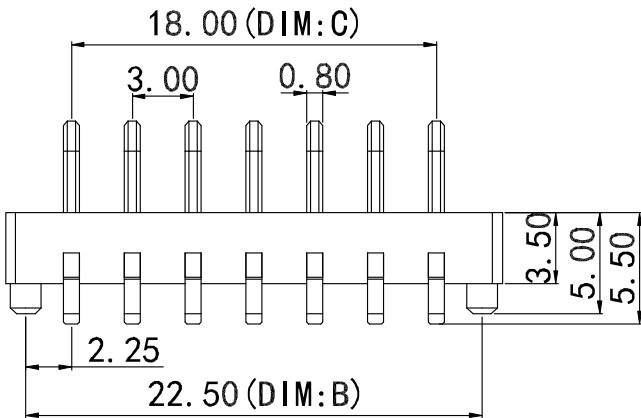
RoHS  
Compliant

SYMBOL	REVISION	APPROVAL	DATE

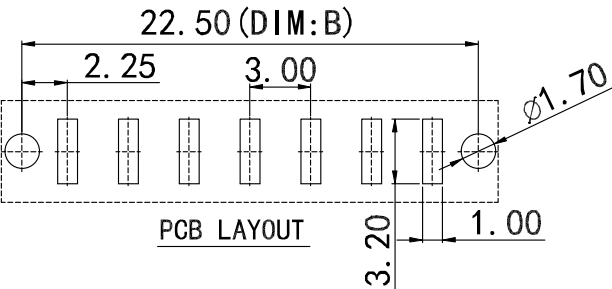


### SPECIFICATIONS

- ELECTRICAL CHARACTERISTICS:
  - 1-1. RATING: DC 12V 15A / Pin
  - 1-2. CONTACT RESISTANCE: 30mΩ
  - 1-3. DIELECTRIC WITHSTANDING VOLTAGE: 500V AC FOR ONE MINUTE
  - 1-4. INSULATION RESISTANCE: 500MΩ , MEASURED BY 500V DC
- LIFE TEST: MECHANICAL LIFE TEST 5,000 CYCLES.
- TEMPERATURE RISE : 30° C MAX



规格型号	DIM:A	DIM:B	DIM:C
DS-D01M-A-2P-R1	9.50	7.50	3.00
DS-D01M-A-3P-R1	12.50	10.50	6.00
DS-D01M-A-4P-R1	15.50	13.50	9.00
DS-D01M-A-5P-R1	18.50	16.50	12.00
DS-D01M-A-6P-R1	21.50	19.50	15.00
DS-D01M-A-7P-R1	24.50	22.50	18.00
DS-D01M-A-8P-R1	27.50	25.50	21.00
DS-D01M-A-9P-R1	30.50	28.50	24.00
DS-D01M-A-10P-R1	33.50	31.50	27.00
DS-D01M-A-11P-R1	36.50	34.50	30.00
DS-D01M-A-12P-R1	39.50	37.50	33.00



2	HOUSING	PA9T	1	BLACK
1	CONTACT TERMINAL	HIGH CONDUCTIVITY COPPER	7	Au PLATED
NO.	PARTS	MATERIAL	QTY.	FINISHING

东莞市迪松电子科技有限公司

COPYRIGHT RESERVED, PLEASE DO NOT COPY.

PART NAME	CONNECTOR		DRAWING	Y. C. Zhang	DWG. No.
PART NO.	公座DS-D01M-A-R1系列		CHECK	G. C. Chen	REV. A1
	UNIT :	TOLERANCE	APPROVAL	DATE	12-12-2022
	mm	OTHERWISE	SCALE	PAGE	1 OF 1

X.X ±0.15 X.X* ±1*	ANGLE	0° ±3°
X.X ±0.10 X.X* ±0.5*		
X.XX ±0.05 X.XX ±0.05*		
X.XXX ±0.005 X.XXX ±0.005*		