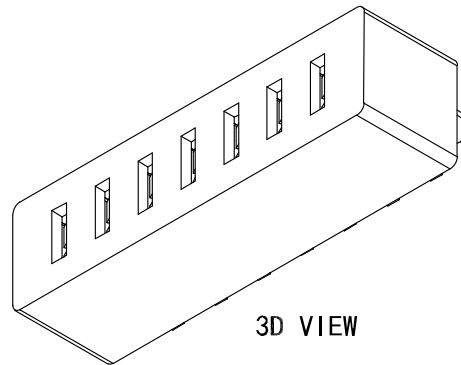
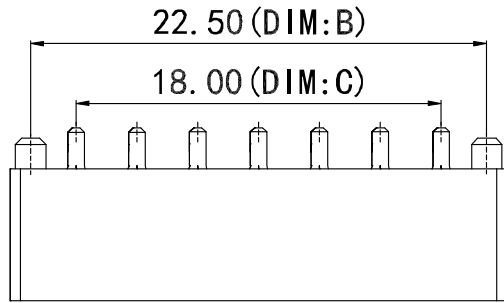


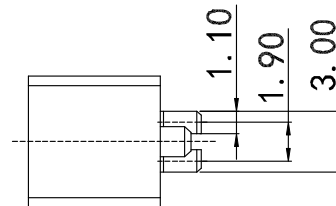
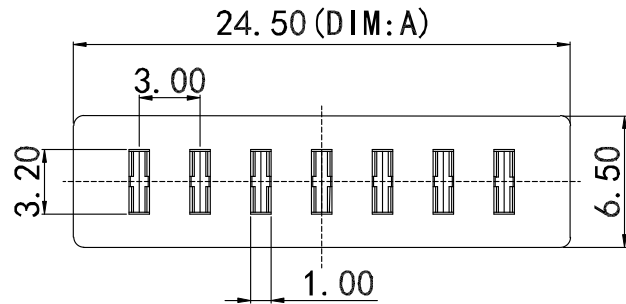
RoHS
Compliant

SYMBOL	REVISION	APPROVAL	DATE

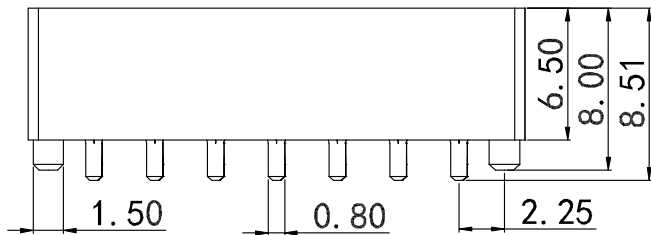
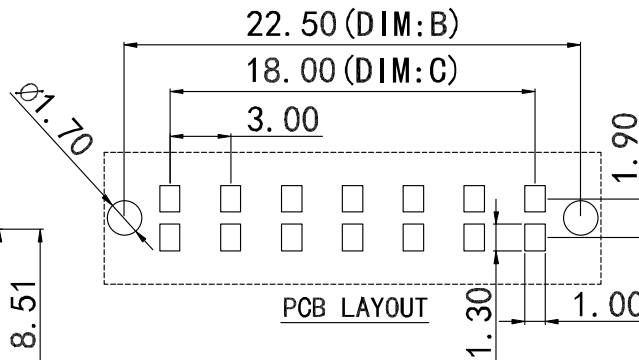


SPECIFICATIONS

- ELECTRICAL CHARACTERISTICS:
 - 1-1. RATING: DC 12V 15A / Pin
 - 1-2. CONTACT RESISTANCE: 30mΩ
 - 1-3. DIELECTRIC WITHSTANDING VOLTAGE: 500V AC FOR ONE MINUTE
 - 1-4. INSULATION RESISTANCE: 500MΩ , MEASURED BY 500V DC
- LIFE TEST: MECHANICAL LIFE TEST 5,000 CYCLES.
- TEMPERATURE RISE : 30° C MAX



规格型号	DIM:A	DIM:B	DIM:C
DS-D01F-A-2P-S1	9.50	7.50	3.00
DS-D01F-A-3P-S1	12.50	10.50	6.00
DS-D01F-A-4P-S1	15.50	13.50	9.00
DS-D01F-A-5P-S1	18.50	16.50	12.00
DS-D01F-A-6P-S1	21.50	19.50	15.00
DS-D01F-A-7P-S1	24.50	22.50	18.00
DS-D01F-A-8P-S1	27.50	25.50	21.00
DS-D01F-A-9P-S1	30.50	28.50	24.00
DS-D01F-A-10P-S1	33.50	31.50	27.00
DS-D01F-A-11P-S1	36.50	34.50	30.00
DS-D01F-A-12P-S1	39.50	37.50	33.00



2	HOUSING	PA9T	1	BLACK
1	CONTACT TERMINAL	C70250	7	Au PLATED
NO.	PARTS	MATERIAL	QTY.	FINISHING

东莞市迪松电子科技有限公司

COPYRIGHT RESERVED, PLEASE DO NOT COPY.

PART NAME		CONNECTOR		DRAWING	Y. C. Zhang	DWG. No.	
PART NO.		母座DS-D01F-A-S1系列		CHECK	G. C. Chen	REV.	A1
UNIT :	TOLERANCE	X.X ±0.15 X.X* ±1*	ANGLE	APPROVAL		DATE	12-12-2022
	OTHERWISE	X.XX ±0.10 X.XX* ±0.5*	0° ±3°	SCALE	3:1	PAGE	1 OF 1