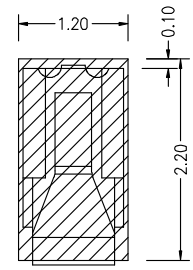
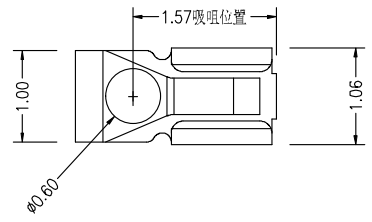
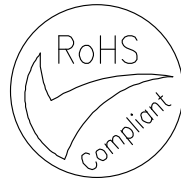
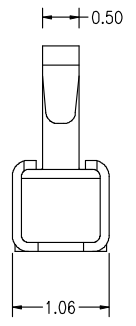
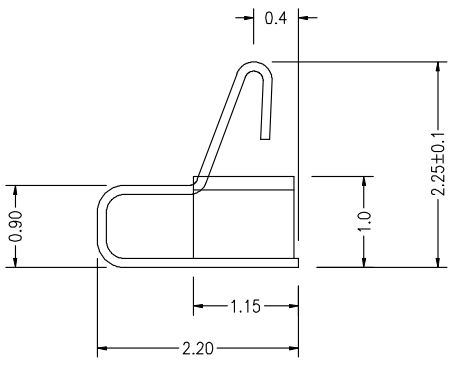


Rev.	ECN Number	Description	Date	Drawn	Checkd	Approved



RECOMMENDED PCB LAYOUT  
TOLERANCE  $\pm 0.05\text{MM}$



NOTES:

- 1: 材质 SUS304
- 2: 表面处理 整体镀镍 50", 触点与焊盘位置镀金1u"
- 3: 性能:  
接触电阻: 50m $\Omega$  MAX.  
使用温度:  $-20^{\circ}\text{C} \sim +65^{\circ}\text{C}$ .  
自由高度预压力 0.2N  
工作高度位置接触点压力 0.6  $\pm$  0.1 N
- 4, 包装.: 卷带包装

**DISONG**

GENERAL TOLERANCE	
XX. $\pm 0.50$	
X. $\pm 0.35$	X.° $\pm 2.0^{\circ}$
.X $\pm 0.25$	.X° $\pm 1.0^{\circ}$
.XX $\pm 0.15$	.XX° $\pm 0.5^{\circ}$

SCALE:	1:1
UNIT:	mm
SIZE:	A4

DRAWN	Chen	DATE	2020. 9. 20
CHECK		DATE	
APPROVE		DATE	

DWG. NO.	
PARTS NO.(INTENDED USE)	AS-047

TITLE	(CUSTOMER DRAWING)
	Antenna Spring,SMT, L2.2*W1.0*H2.25mm

REV.	A
SHEET	1/1