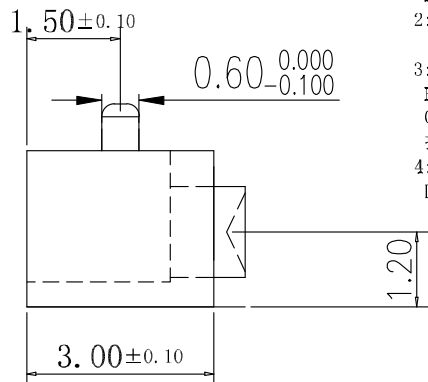
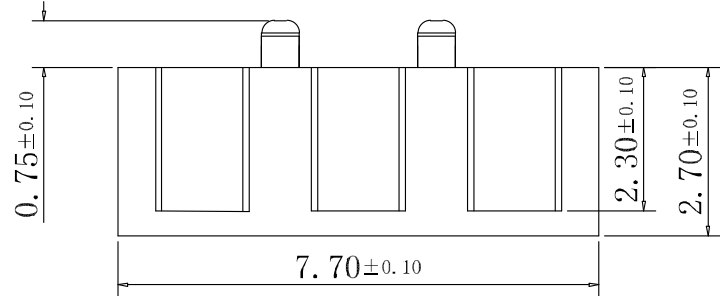
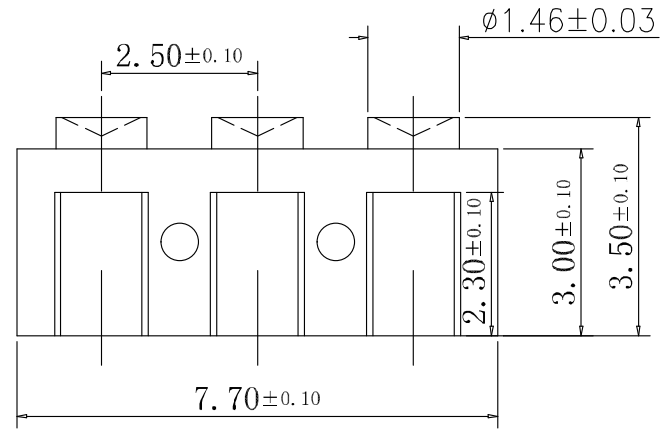
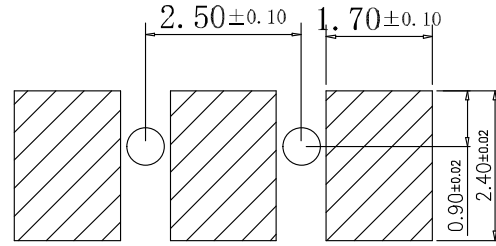


RoHS
Compliant

| SYMBOL | REVISION | APPROVAL | DATE |
|--------|----------|----------|------|
| | | | |
| | | | |

RECOMMEND PCB LAYOUT



Note:

- 1: Material (材料)
Housing: PA46 (胶芯:PA46)
Plunger: Brass C3604 (针轴: 国标黄铜 C3604)
- 2: Plating (电镀)
Plunger: 2u' Au over 80~100u' Ni (针轴: 镀金2u', 镍底80~100u')
- 3: Electrical (电气特性)
Rated Current & Voltage: DC 12v:2A (额定电压&电流: 直流12v:2A)
Contact Resistance: 50 mohm Max. at working height.
接触电阻: 接触最大阻抗30毫欧 (接触工作高度停止状态下)
- 4: Mechanical (机械性能):
Full: stroke: 10000cycles (min) 寿命10000次以上

| NO. | PARTS | MATERIAL | QTY. | FINISHING |
|-----|-------|----------|------|-----------|
| | | | | |
| | | | | |

东莞市迪松电子科技有限公司

COPYRIGHT RESERVED, PLEASE DO NOT COPY.

| | | | | | |
|-------------|-----------|---------------------|--------|----------|----------|
| PART NAME | | CONNECTOR | | DRAWING | DWG. No. |
| PART NO. | | PG-0-301 | | CHECK | REV. A0 |
| UNIT: mm | TOLERANCE | UP TO 5 ±0.2 | ANGLE | APPROVAL | DATE |
| | OTHERWISE | ABOVE 5 ~30 ±0.3 | 0° ±3° | SCALE | PAGE |
| | | ABOVE 30 ±0.5 | | 1:1 | 1 OF 1 |
| | | ±3* | | | |