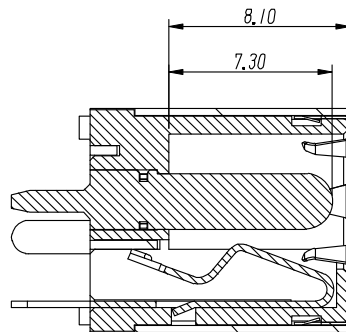
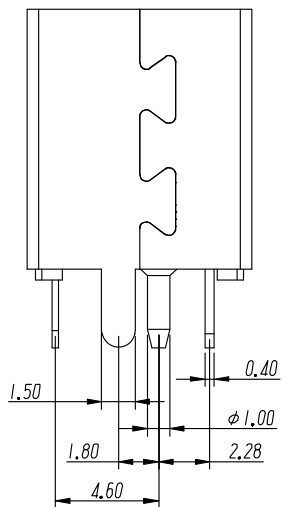
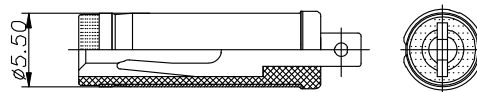


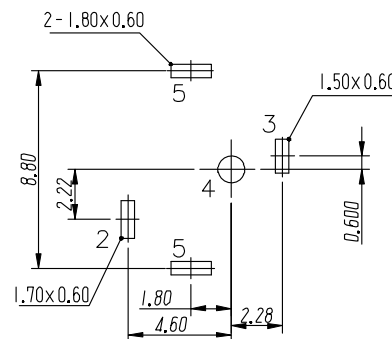
PIN	φ2.00	φ2.50	φ3.00
APPD.		✓	



SECTION



DC MATE PLUG



P.C.B LAYOUT
TOP VIEW

- SPECIFICATION
- Rating : DC 20V 6A;
 - Contact resistance: $\leq 0.03\Omega$;
 - Insulation resistance: $\geq 100M\Omega$ (DC250V);
 - Withstand voltage: 500VAC ;
 - Insertion and extraction force: 3-30N;
 - life test: 5,000 cycles.

6	SPRING PIECE	1	SUS301		
5	COAT	1	IRON T=0.3		Ni-Plating
4	PIN	1	ZINC ALLOY		Ni-Plating
3	CONTACT FOOT	1	BRASS T=0.4		Ag-Plating
2	SPRING PIECE	1	BRONZE T=0.3		Ag-Plating
	HOUSING		PA9T		
NO.	DESCRIPTION	QTY	MATERIAL	CODE	PROPERTY

GENERAL TOLERANCES			DRAWN	C	TITLE: DC-JACK	
0.X	±0.30	X.° ±3°			DESIGN	PART NO.
0.XX	±0.20		CHECKED	PRODUCT NO.		
0.XXX	±0.10	X.X° ±1°	APPROVED	DRAWING NO.		
UNIT	SIZE	SCALE		UNIT: mm	SCALE: 1:1	REV: 01-1 SHT: 1 OF 1
MM	A4	1:1				

迪松电子

ECN NO.	REV	DATE	DESCRIPTION	MDF'D	APP'D
	01	2022.09.22	NEW DRAWING RELEASE		