

F

E

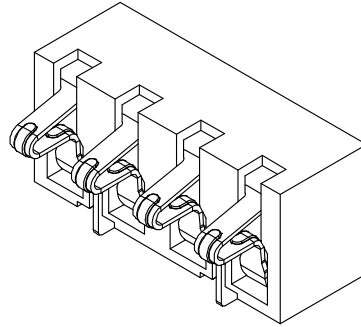
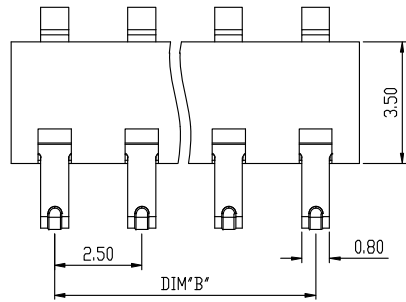
D

C

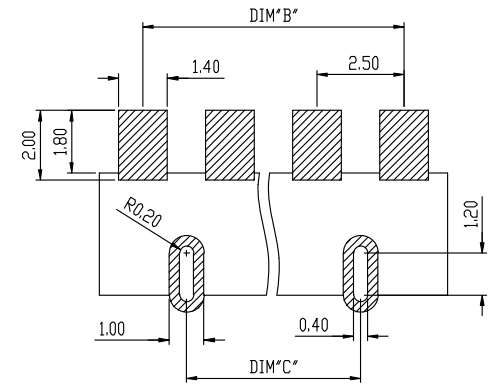
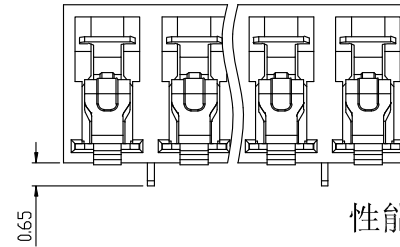
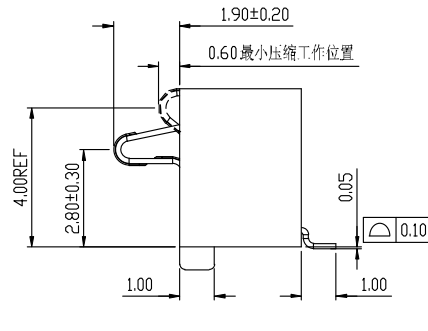
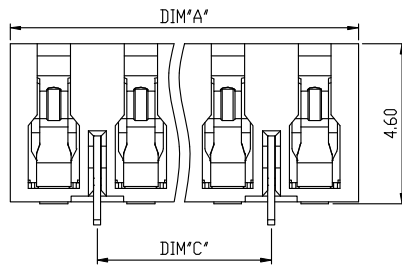
B

A

1

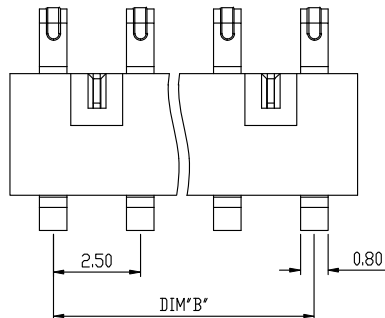


2



RECOMMENDED PCB LAYOUT  
TOL:(±0.05)

3



性能:

额定电流: 2.0A

额定电压: 12V

耐电压: 500V

接触电阻: 30mΩ

绝缘电阻: 500MΩ

工作温度: -40℃~+85℃

塑件(材质): LCP黑色

接触点(材质): 磷青铜, 触点镀金3U"

PART NO.	DIM A	DIM B	DIM C
BC-2-416-C01	10.0	7.5	5.0
BC-2-507-C01	12.5	10.0	7.5
BC-2-607-C01	15.0	12.5	10.0
BC-2-702-C01	17.5	15.0	12.5
BC-2-802-C01	20.0	17.5	15.0

4

DISONG ELECTRONIC CO., LTD.

COPYRIGHT RESERVED, PLEASE DO NOT COPY.

PART NAME	CONNECTOR		DRAWING	G.B.Wu	DWG.No.	DS-BC-115
PART NO.	BC-2-416 507 607 702 802-C01		CHECK	Q.L.Dai	REV.	A0
UNIT	mm	TOLERANCE	APPROVAL	DATE	10-09-2017	
		OTHERWISE	SCALE	PAGE	1 OF 1	
		UP TO 5 ±0.2				
		ABOVE 5 30 ~ ±0.3				
		ABOVE 30 ±0.5				
		ANGLE ±3°				

F

E

D

C

B

A

1

2

3

4