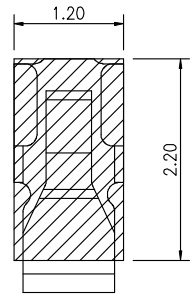
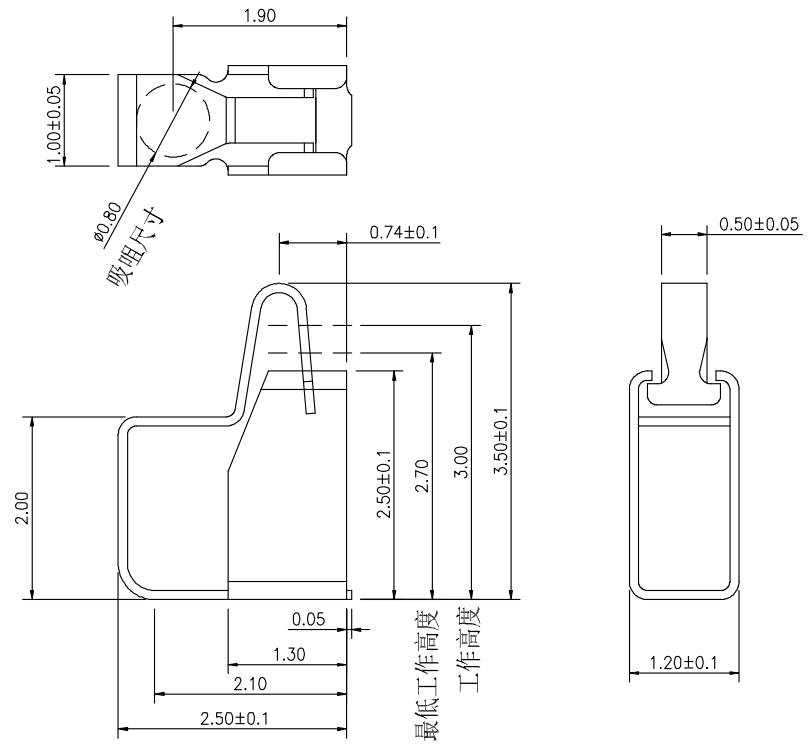
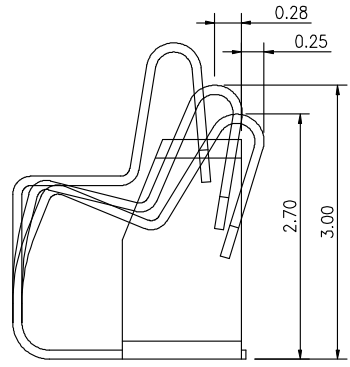


| Rev. | ECN Number | Description | Date | Drawn | Checkd | Approved |
|------|------------|-------------|------|-------|--------|----------|
| | | | | | | |



RECOMMENDED PCB LAYOUT
TOLERANCE ±0.05MM



工作高度状态

- NOTES:
- 1: 材质 SUS304
 - 2: 表面处理 整体镀镍 50", 触点与焊盘位置镀金1u"
 - 3, 性能:
接触电阻: 50mΩ MAX.
使用温度: -20° C~+65° C.
工作高度位置接触点压力0.5N
 - 4, 包装.: 卷带包装

迪克松

| GENERAL TOLERANCE | |
|-------------------|------------|
| XX. ±0.50 | |
| X. ±0.35 | X.° ±2.0° |
| .X ±0.25 | .X° ±1.0° |
| .XX ±0.15 | .XX° ±0.5° |

| | |
|--------|-----|
| SCALE: | 1:1 |
| UNIT: | mm |
| SIZE: | A4 |

| | |
|---------|---|
| DRAWN | 陈 |
| CHECK | |
| APPROVE | |

| | |
|------|-------------|
| DATE | 2022. 2. 24 |
| DATE | |
| DATE | |

| | |
|-------------------------|--------|
| DWG. NO. | |
| PARTS NO.(INTENDED USE) | AS-054 |

| | |
|-------|---|
| TITLE | (CUSTOMER DRAWING) Antenna Spring,SMT, L2.5*W1.2*H3.5mm |
|-------|---|

| | |
|-------|-----|
| REV. | A |
| SHEET | 1/1 |