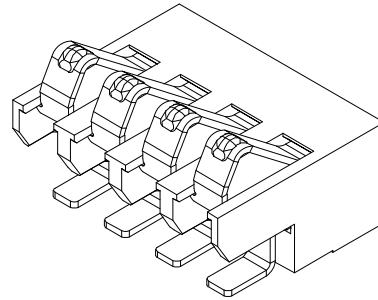
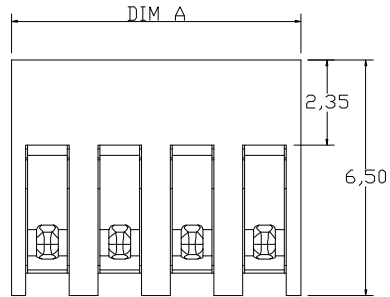
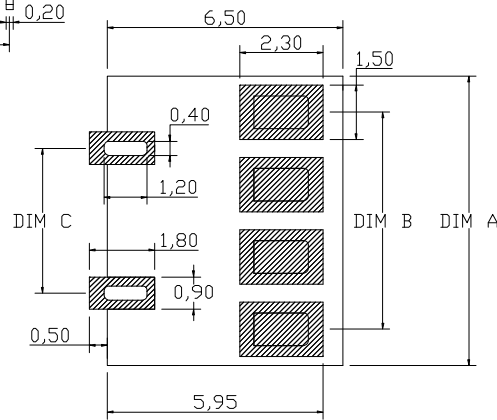
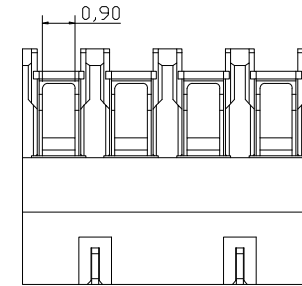
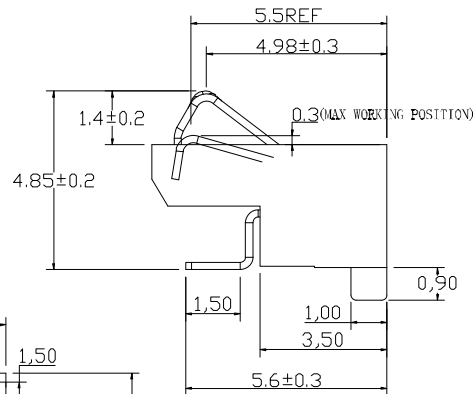
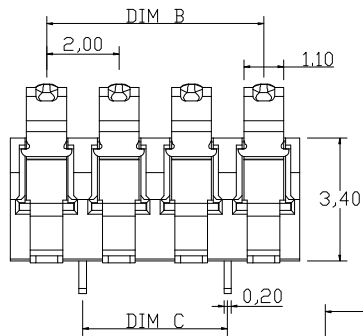


F E D C B A



性能:

额定电流: 2.0A
 额定电压: 12V
 耐电压: 500V
 接触电阻: 30mΩ MAX
 绝缘电阻: 500MΩ
 工作温度: -40℃~+85℃
 塑件(材质): LCP
 接触点(材质): 磷铜, 触点镀金3U",
 使用寿命: 5000次以上



RECOMMENDED PCB LAYOUT
 TOP VIEW (. XX±0.05)

Pin数	PART NO.	DIM A	DIM B	DIM C
2Pin	BC-1-220-C01	4.0	2.0	
3Pin	BC-1-340-C01	6.0	4.0	2.0
4Pin	BC-1-431-C01	8.0	6.0	4.0
5Pin	BC-1-515-C01	10.0	8.0	6.0
6Pin	BC-1-617-C01	12.0	10.0	8.0
7Pin	BC-1-707-C01	14.0	12.0	10.0
8Pin	BC-1-806-C01	16.0	14.0	12.0

NO.	PARTS	MATERIAL	QTY.	FINISHING
2	HOUSING	LCP	1	BLACK
1	CONTACT TERMINAL	PHOSPHOR BRONZE	3	Au PLATED

DISONG ELECTRONIC CO., LTD.

COPYRIGHT RESERVED, PLEASE DO NOT COPY.

PART NAME	CONNECTOR	DRAWING	G.B.Wu	DWG.No.	DS-BC-235
PART NO.	BC-1-220 340 431 515 617 707 806-C01	CHECK	Q.L..Dai	REV.	A0
UNIT : mm	TOLERANCE OTHERWISE	UP TO 5 ±0.2 ABOVE 5~30 ±0.3 ABOVE 30 ±0.5 ANGLE ±3'	APPROVAL	DATE	15-08-2023
		SCALE	2:1	PAGE	1 OF 1

F E D C B A